

L / E / D / N / E / O / N

# NEON

## CATALOG

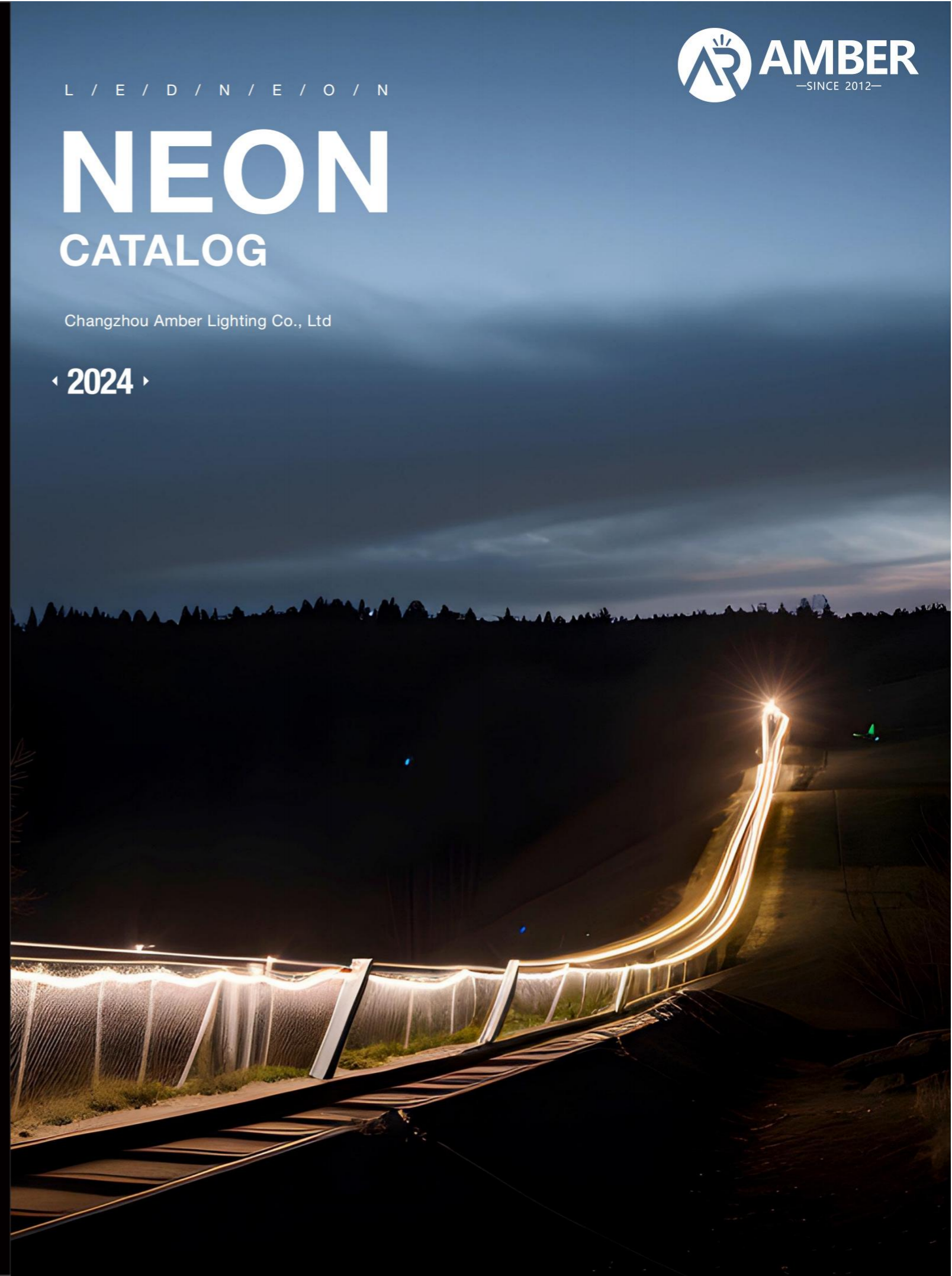
Changzhou Amber Lighting Co., Ltd

◀ 2024 ▶

Changzhou Amber Lighting Co., Ltd

Tel: +86 151 6117 2033  
Web: [www.amberledstrip.com](http://www.amberledstrip.com)  
Email: [info@amber-lighting.com](mailto:info@amber-lighting.com)

Zouqu Town, Zhonglou District, Changzhou City, Jiangsu Province, China



## About Amber

Welcome to Changzhou Amber Lighting Co., Ltd., a beacon of innovation in the heart of Changzhou City, Jiangsu Province, China. Since our inception in 2012, we have been at the forefront of LED technology, specializing in the research, development, production, and sales of premium LED strips, LED neon, and related products.

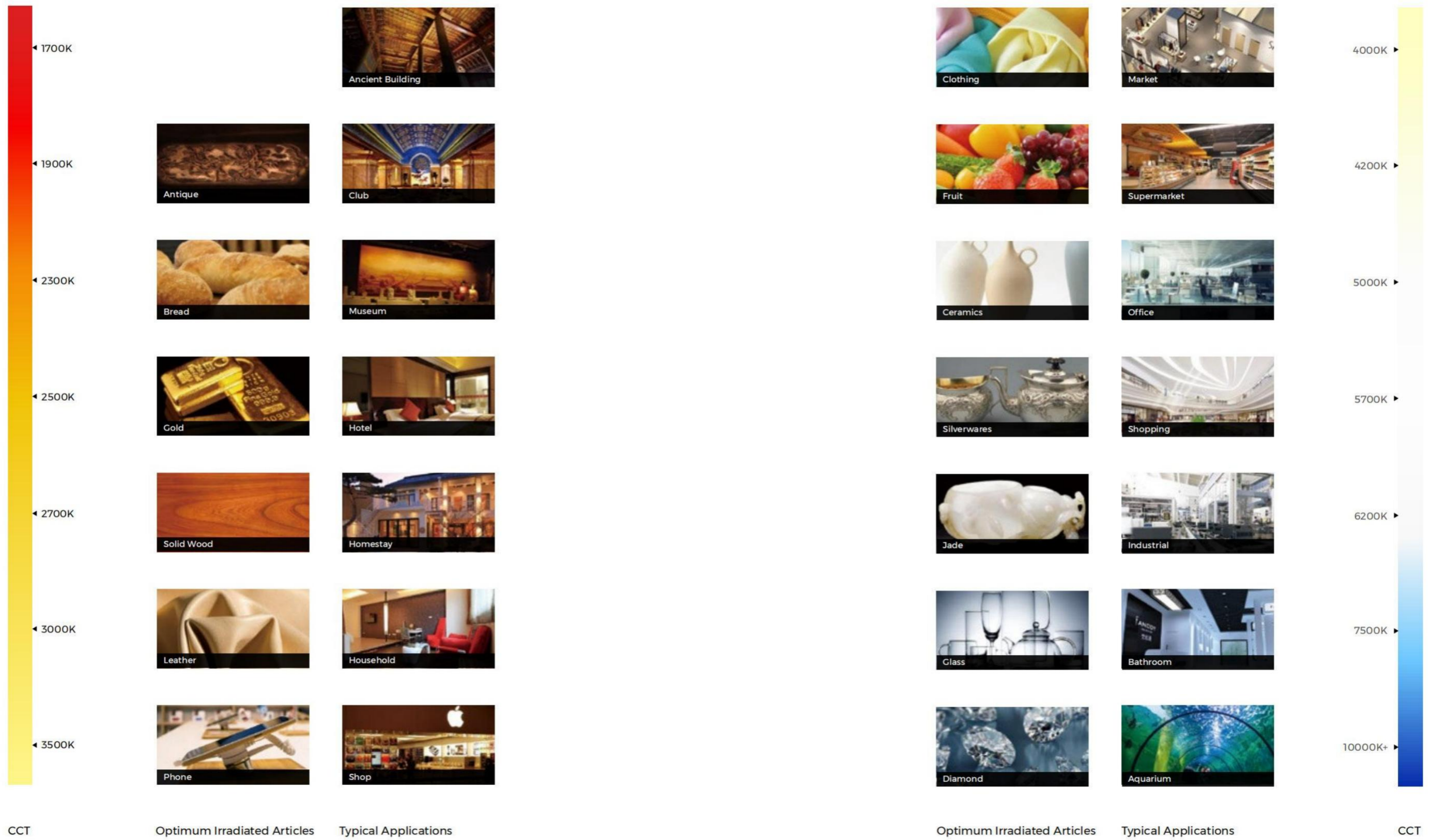
At Amber Lighting, we blend cutting-edge design with advanced technology, offering a diverse range of lighting solutions. Our commitment to excellence has made us a trusted name in the industry. As you explore our new catalogue you'll discover products that not only illuminate spaces but also redefine the possibilities of modern lighting.

Join us on this journey where quality, innovation, and customer satisfaction converge. Changzhou Amber Lighting Co., Ltd. is more than a manufacturer we are your partner in creating a brilliantly lit future.

## Workshop

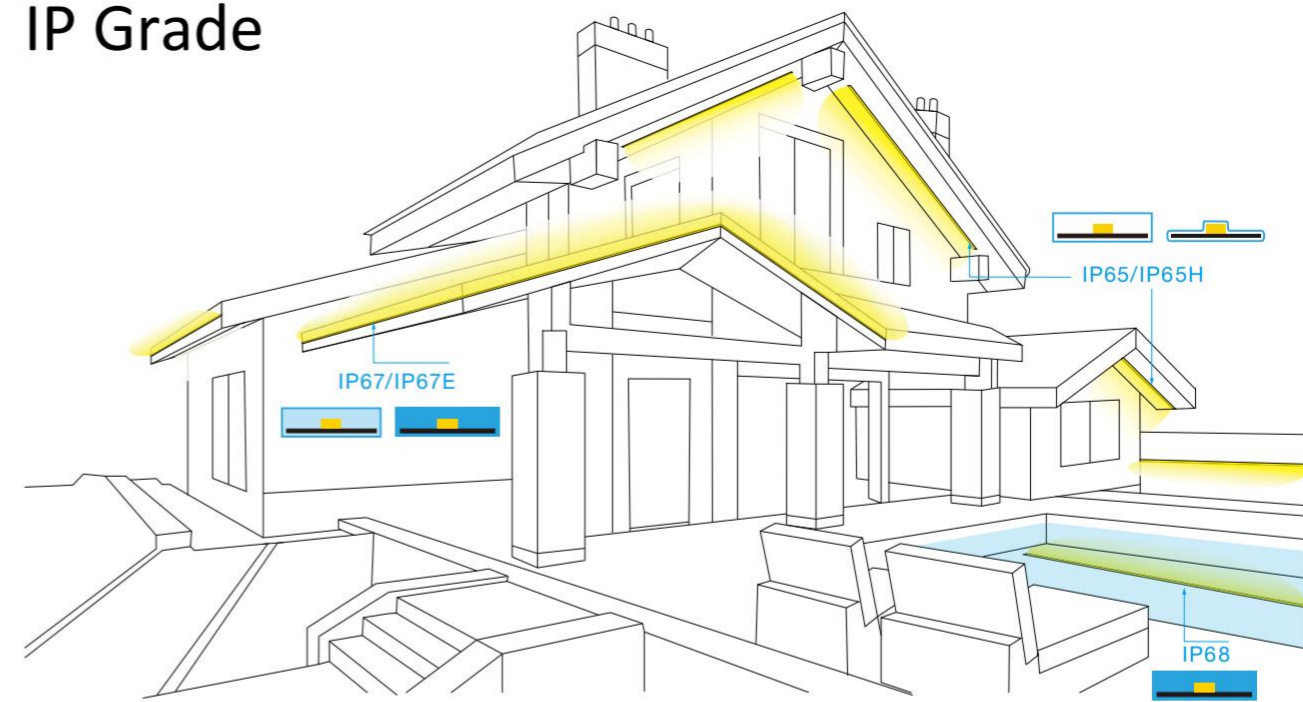


# Color Application Guidelines





# IP Grade

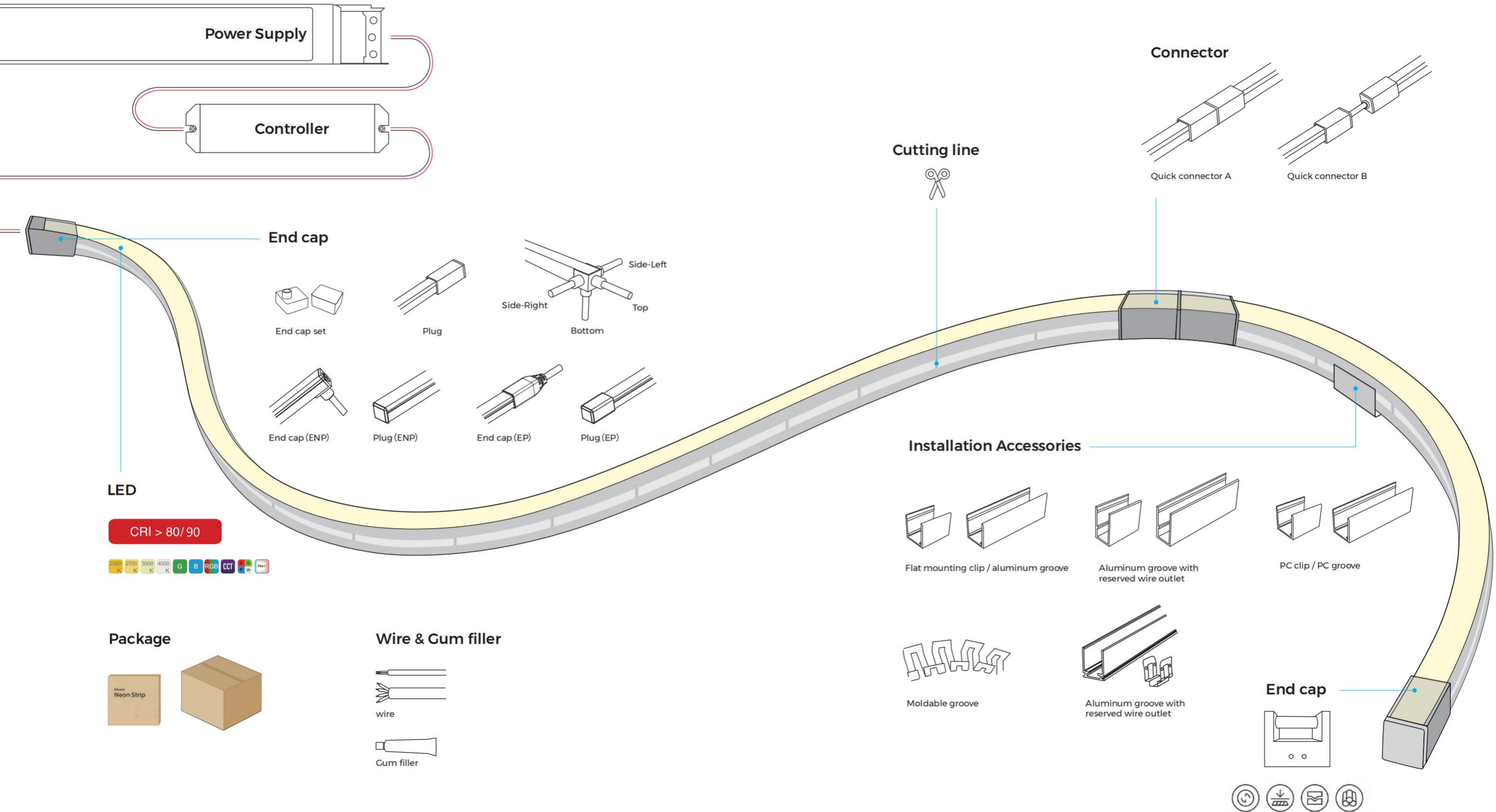


| IP Rate | Structure  | Description             | Application   |
|---------|--|-------------------------|---|
| IP20    | <p>Bare<br/>LED strip</p>                              | Non-waterproof          | Indoor use  |
| IP52    | <p>Silicone<br/>LED strip</p>                          | Silicone coating        | Damp environments<br>e.g. kitchen, bathroom               |
| IP65H   | <p>Empty inside<br/>Heat shrink tube<br/>LED strip</p> | Heat shrink tube        | Semi-outdoor raining<br>environments<br>e.g. porch, eaves |
| IP65    | <p>Empty inside<br/>Silicone tube<br/>LED strip</p>    | Silicone tube           | Semi-outdoor raining<br>environments<br>e.g. porch, eaves |
| IP65E   | <p>Empty inside<br/>Silicone tube<br/>LED strip</p>    | Silicone tube extrusion | Semi-outdoor raining<br>environments<br>e.g. porch, eaves |
| IP67    | <p>Silicone inside<br/>Silicone tube<br/>LED strip</p> | Silicone filling        | Outdoor use   |
| IP67E   | <p>Silicone extrusion<br/>LED strip</p>                | Silicone extrusion      | Outdoor use   |
| IP68    | <p>PU extrusion<br/>LED strip</p>                      | PU extrusion            | Under water within<br>2 meters deep.                      |

# LED NEON SERIES



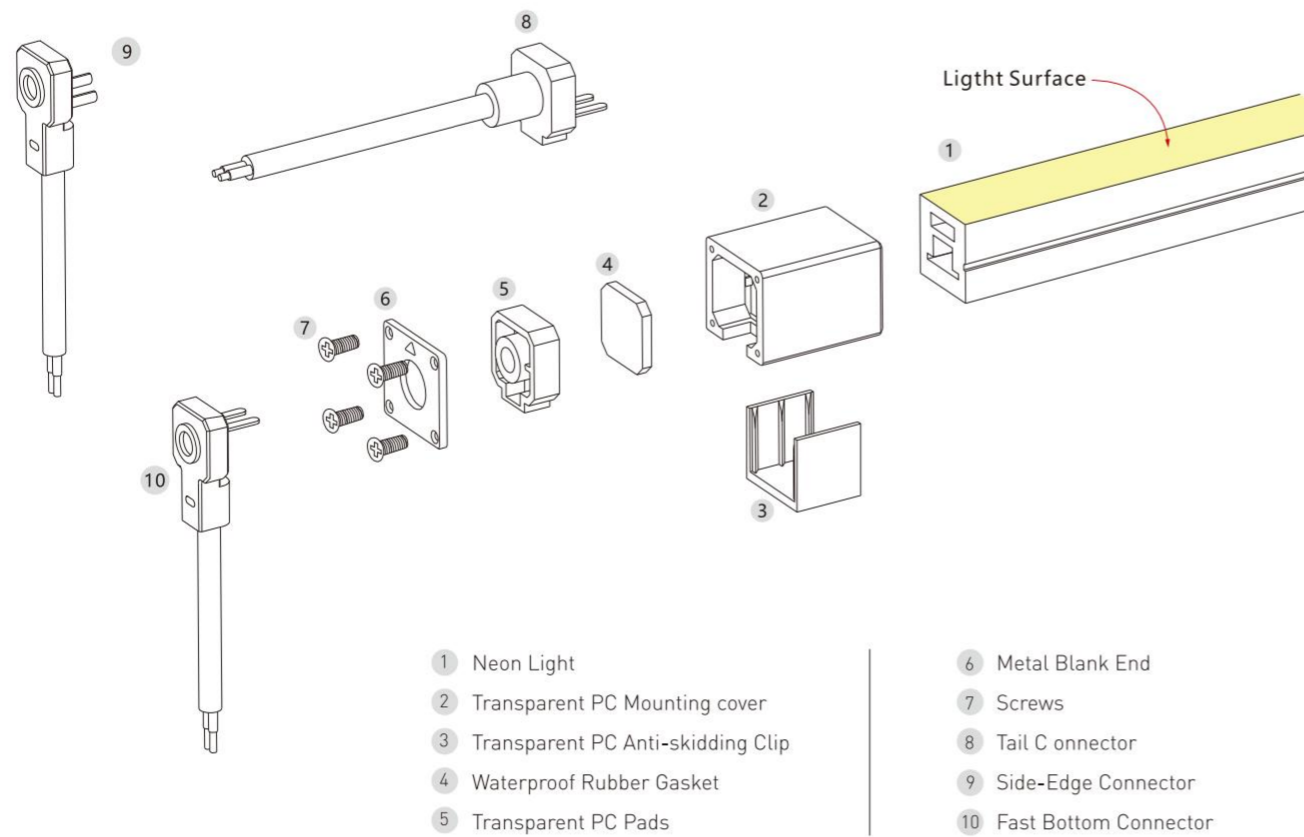
# Silicone Neon Strip Solution



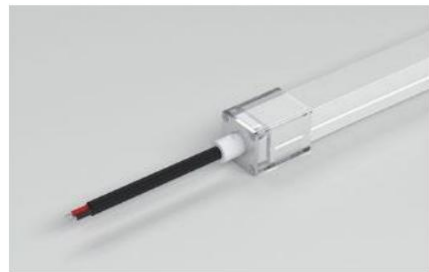
# Various Connections

Provide multiple installation accessories for top bend and side bend, meet various applying demands.

## Accessories diagram for Solder Free End Cap



## Solder Free End Cap



Front Cable Entry



Side Cable Entry

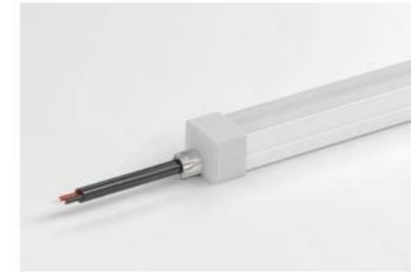


Bottom Cable Entry

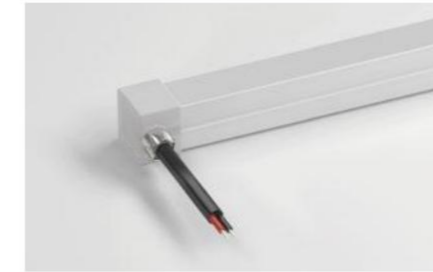
## Integral end cap



## Silicone end cap



Front Cable Entry:  
The cable could be hidden in all directions by the flexible design.



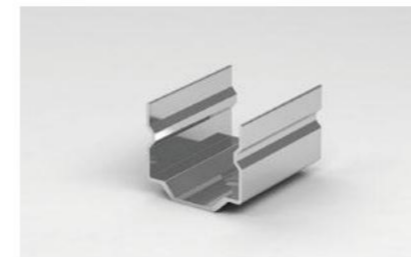
Side Cable Entry:  
The cable could be perfectly hidden to achieve seamless light connection.



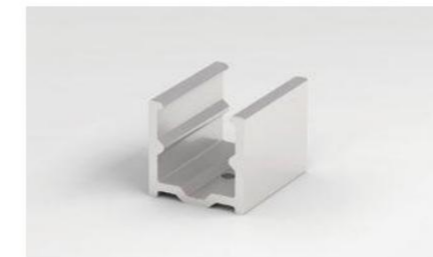
Bottom Cable Entry:  
The cable could be perfectly hidden to achieve seamless light connection.

## Mounting method

Stainless Steel Mounting clip



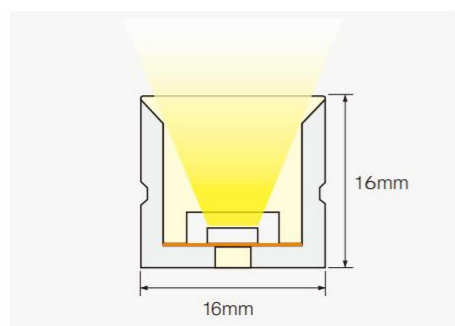
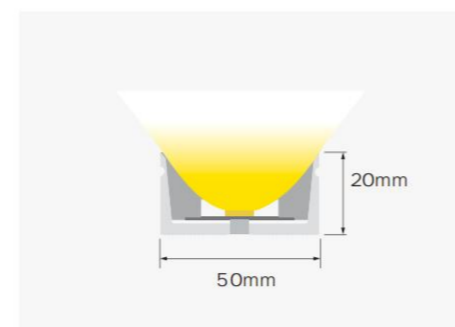
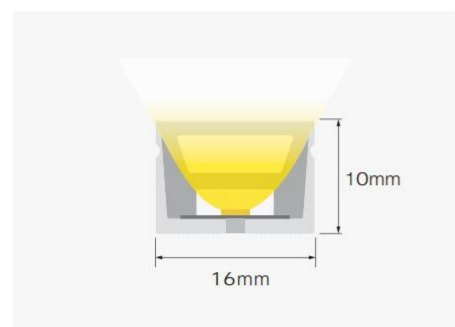
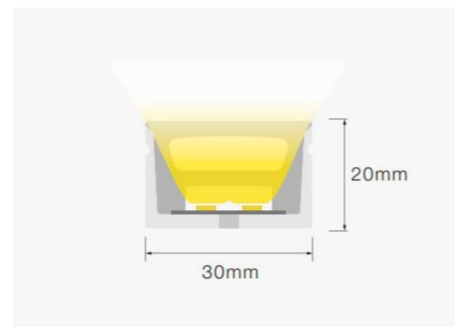
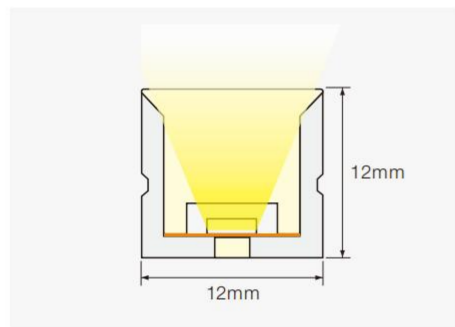
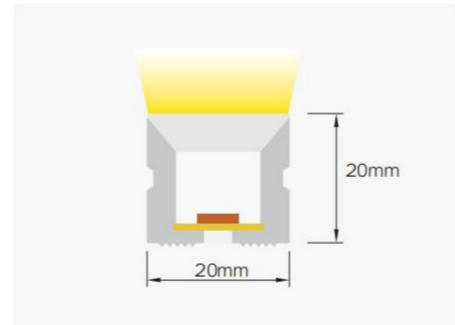
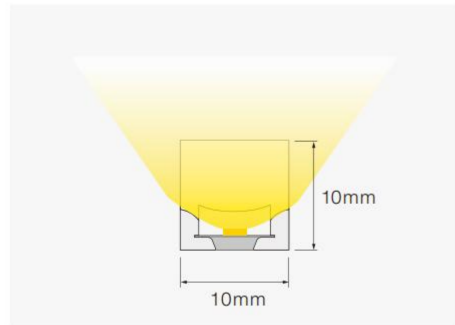
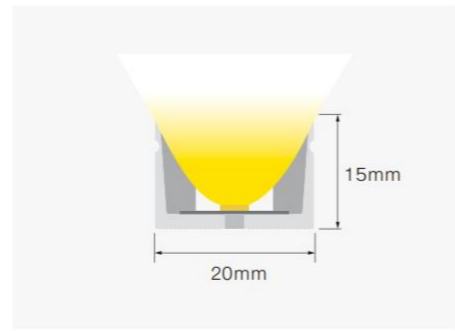
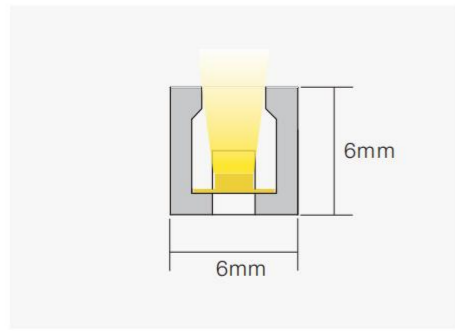
Aluminum Mounting clip



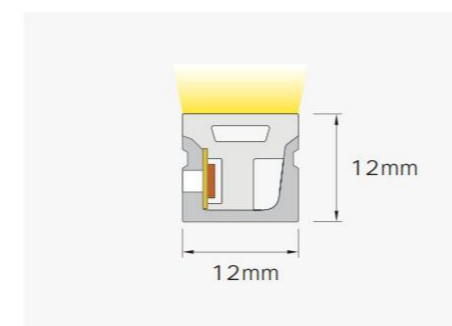
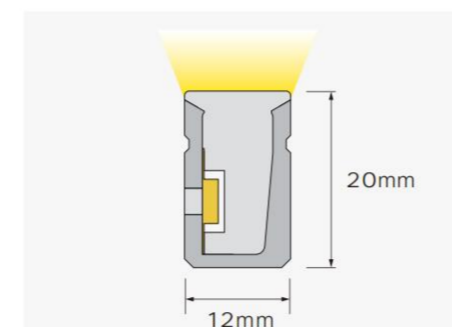
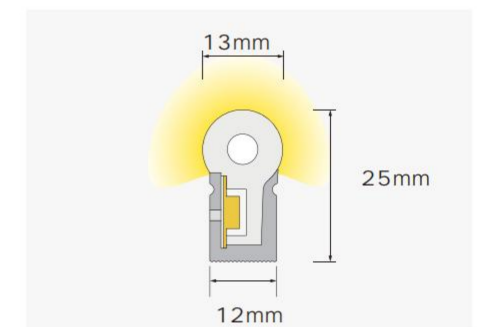
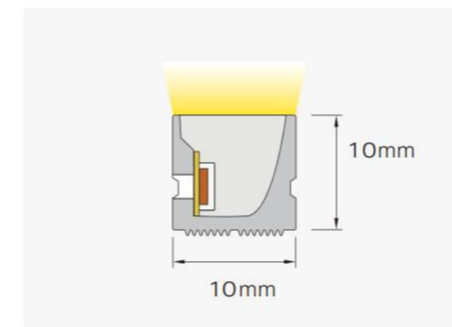
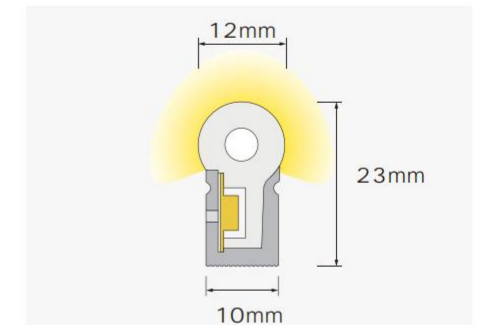
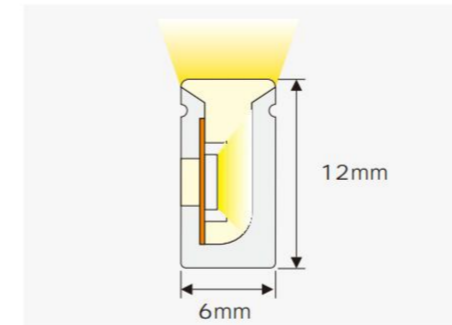
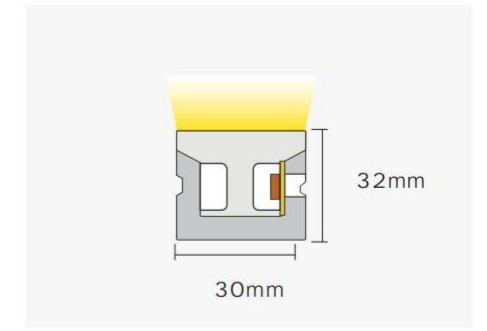
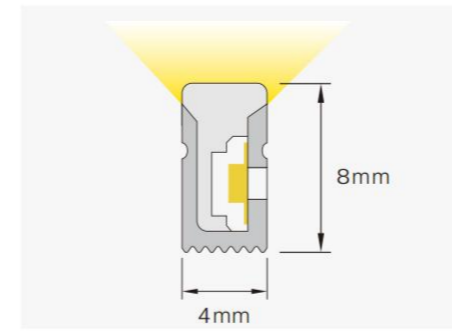
Aluminium Profile



# TOP BEND

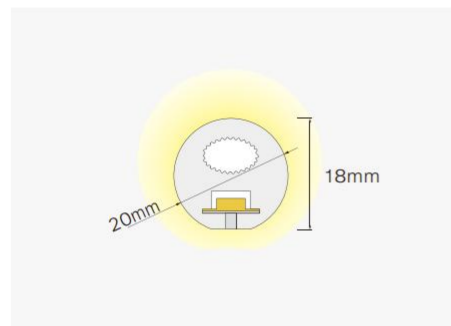
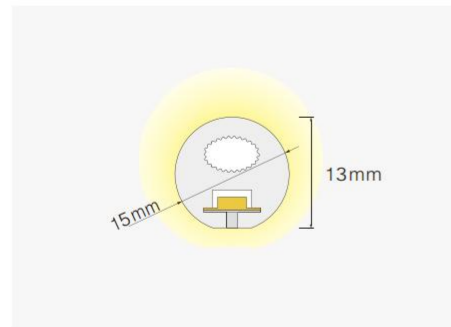
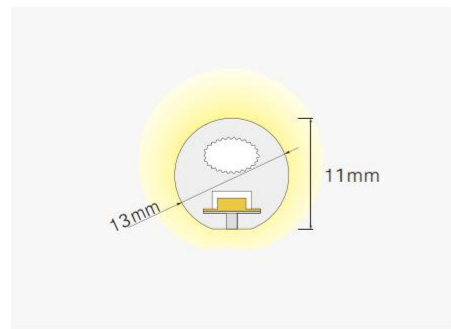


# SIDE BEND

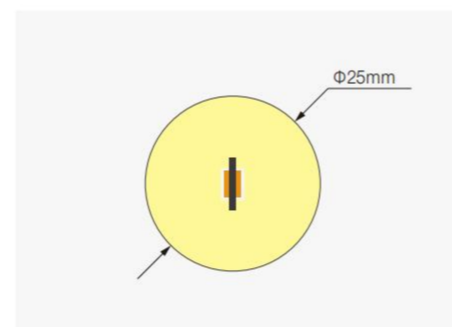
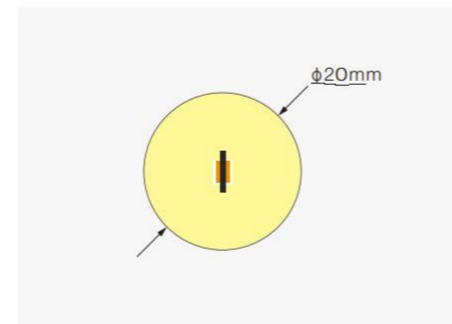
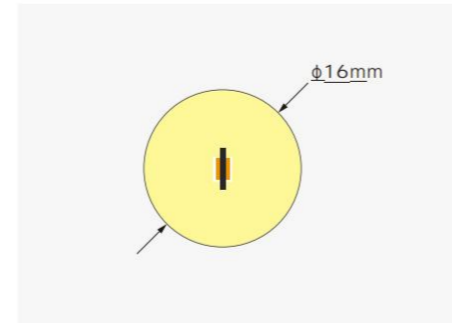




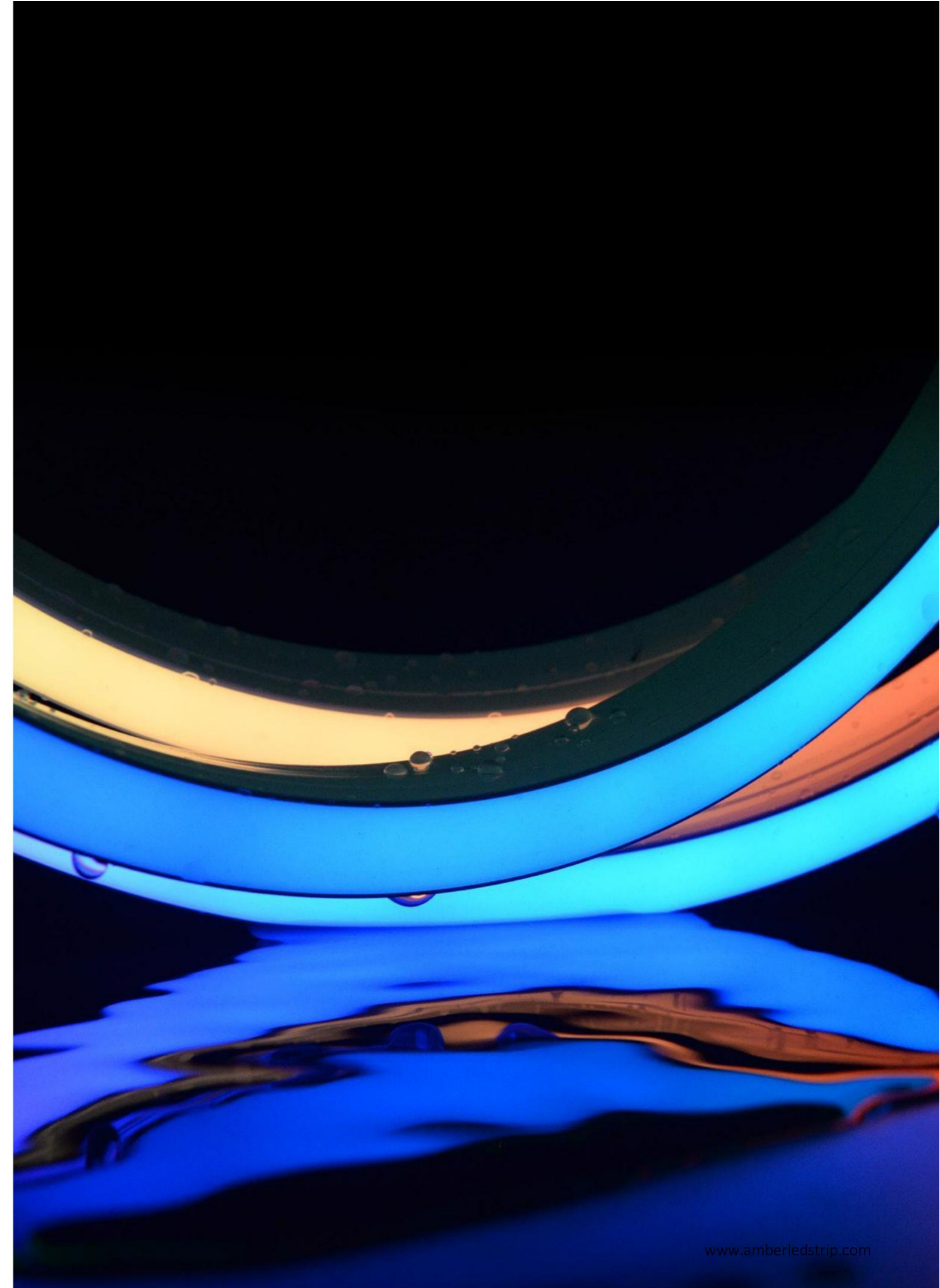
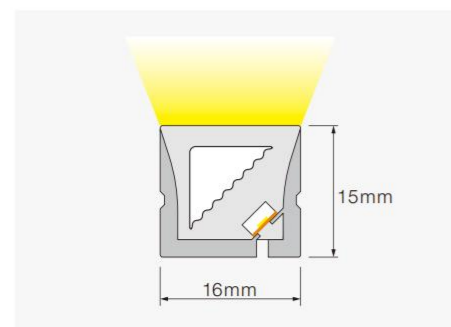
## 270° SERIES



## 360° SERIES

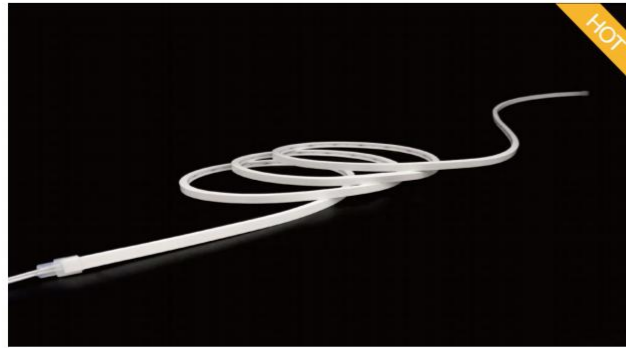


## 3D SERIES



# TOP BEND

T0606

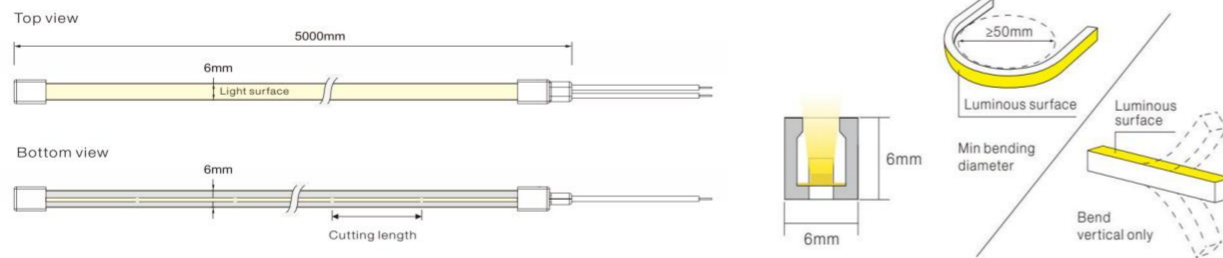


## SPECIFICATION

|              |               |
|--------------|---------------|
| Model        | T0606         |
| Voltage      | 5V/12V        |
| Power        | 7.2W/10W      |
| LED QTY      | 120           |
| CCT/Color    | 2700-6500K    |
| Lumen Output | 600LM         |
| Cutting Unit | 1CM/2.5CM/5CM |
| IP Rate      | >IP65         |



## DIMENSIONS



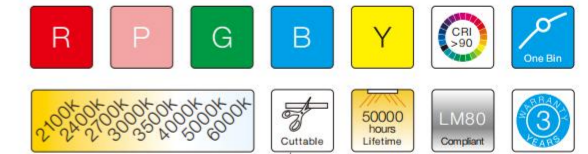
# TOP BEND

T1212

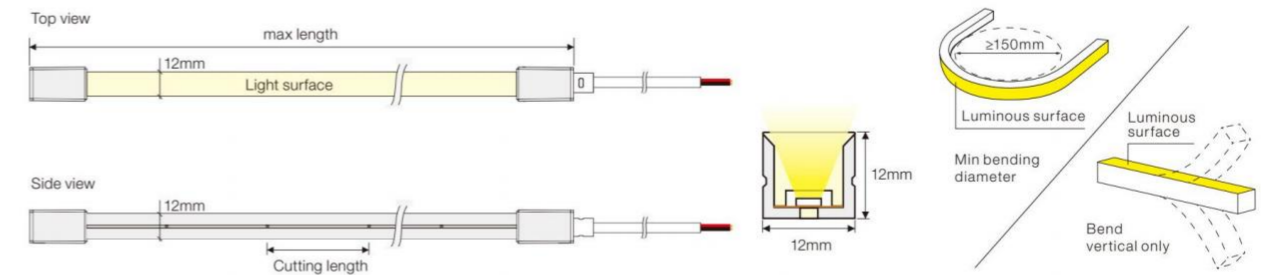


## SPECIFICATION

|              |                  |
|--------------|------------------|
| Model        | T1212            |
| Voltage      | 5V/12V/24V       |
| Power        | 7.2W/10W         |
| LED QTY      | 120              |
| CCT/Color    | 2700-6500K, RGBW |
| Lumen Output | 700LM            |
| Cutting Unit | 1CM/2.5CM/5CM    |
| IP Rate      | >IP65            |



## DIMENSIONS



# TOP BEND

T1010

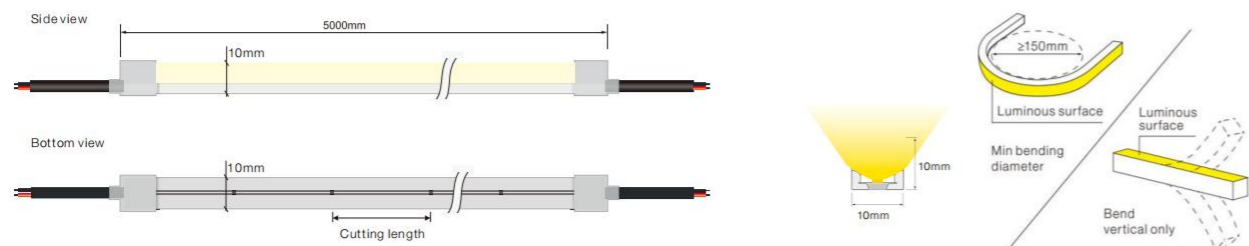


## SPECIFICATION

|              |                  |
|--------------|------------------|
| Model        | T1010            |
| Voltage      | 5V/12V/24V       |
| Power        | 7.2W/10W         |
| LED QTY      | 120              |
| CCT/Color    | 2700-6500K, RGBW |
| Lumen Output | 800LM            |
| Cutting Unit | 1CM/2.5CM/5CM    |
| IP Rate      | >IP65            |



## DIMENSIONS



# TOP BEND

T1610

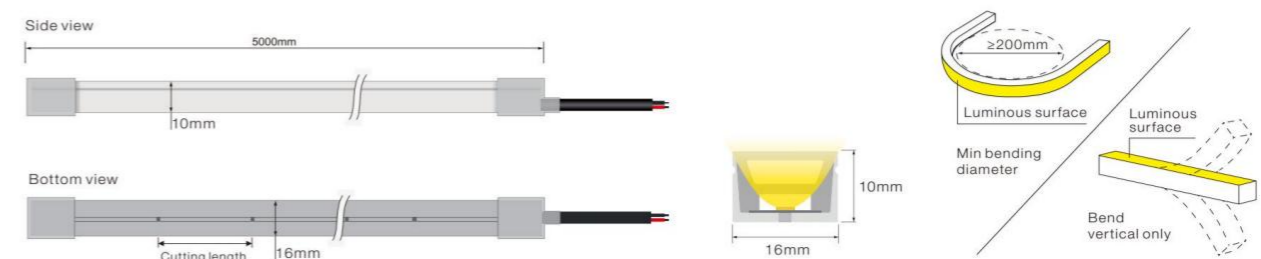


## SPECIFICATION

|              |                  |
|--------------|------------------|
| Model        | T1610            |
| Voltage      | 5V/12V/24V       |
| Power        | 7.2W/10W         |
| LED QTY      | 120              |
| CCT/Color    | 2700-6500K, RGBW |
| Lumen Output | 600LM            |
| Cutting Unit | 1CM/2.5CM/5CM    |
| IP Rate      | >IP65            |



## DIMENSIONS



# TOP BEND

T1616

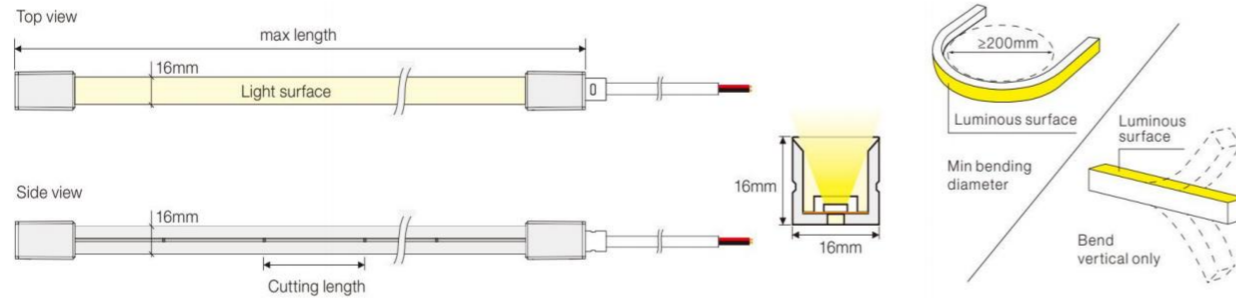


## SPECIFICATION

|              |                  |
|--------------|------------------|
| Model        | T1616            |
| Voltage      | 5V/12V           |
| Power        | 7.2W/10W         |
| LED QTY      | 120              |
| CCT/Color    | 2700-6500K, RGBW |
| Lumen Output | 600LM            |
| Cutting Unit | 1CM/2.5CM/5CM    |
| IP Rate      | >IP65            |



## DIMENSIONS



# TOP BEND

T2020

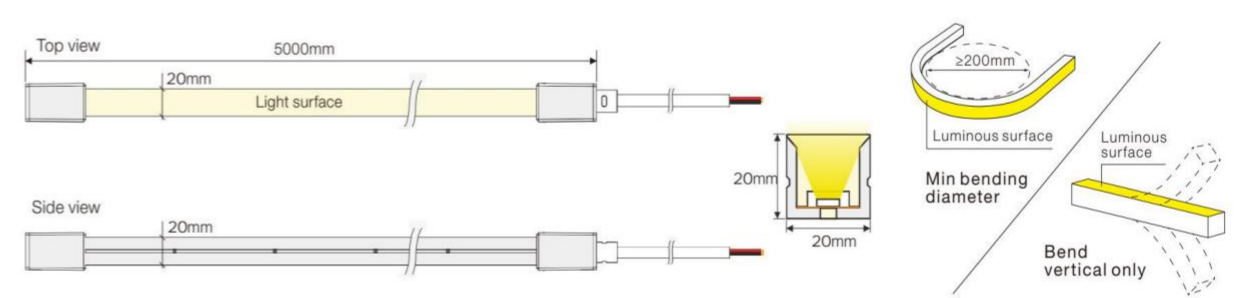


## SPECIFICATION

|              |                  |
|--------------|------------------|
| Model        | T2020            |
| Voltage      | 5V/12V/24V       |
| Power        | 7.2W/10W         |
| LED QTY      | 120              |
| CCT/Color    | 2700-6500K, RGBW |
| Lumen Output | 600LM            |
| Cutting Unit | 1CM/2.5CM/5CM    |
| IP Rate      | >IP65            |



## DIMENSIONS



# TOP BEND

T2015

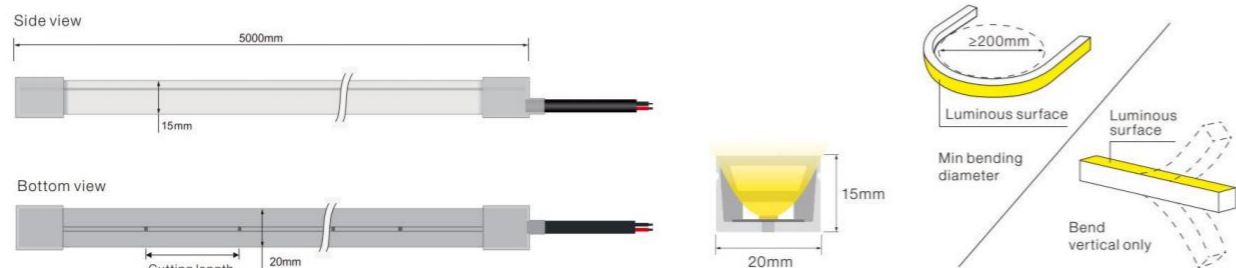


## SPECIFICATION

|              |                  |
|--------------|------------------|
| Model        | T2015            |
| Voltage      | 5V/12V/24V       |
| Power        | 7.2W/10W         |
| LED QTY      | 120              |
| CCT/Color    | 2700-6500K, RGBW |
| Lumen Output | 600LM            |
| Cutting Unit | 1CM/2.5CM/5CM    |
| IP Rate      | >IP65            |



## DIMENSIONS



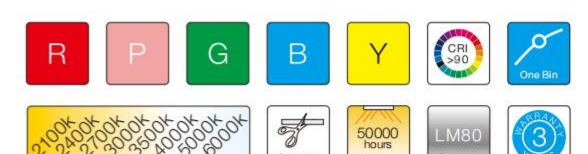
# TOP BEND

T3020

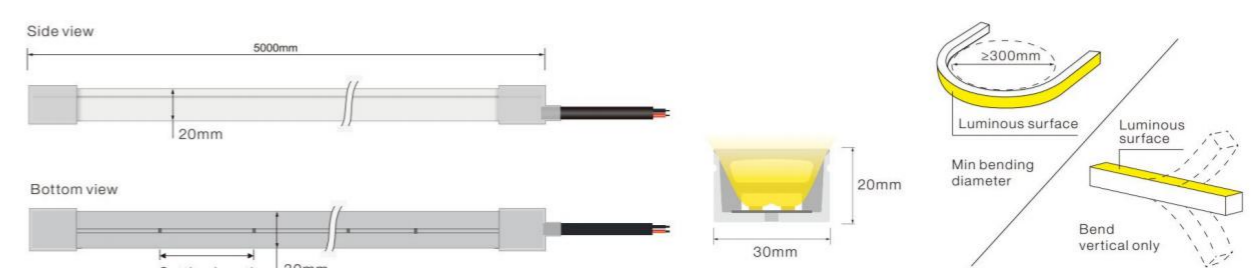


## SPECIFICATION

|              |                  |
|--------------|------------------|
| Model        | T3020            |
| Voltage      | 5V/12V/24V       |
| Power        | 12W/15W          |
| LED QTY      | 240              |
| CCT/Color    | 2700-6500K, RGBW |
| Lumen Output | 900LM            |
| Cutting Unit | 2.5CM/5CM        |
| IP Rate      | >IP65            |



## DIMENSIONS



# TOP BEND

T5020

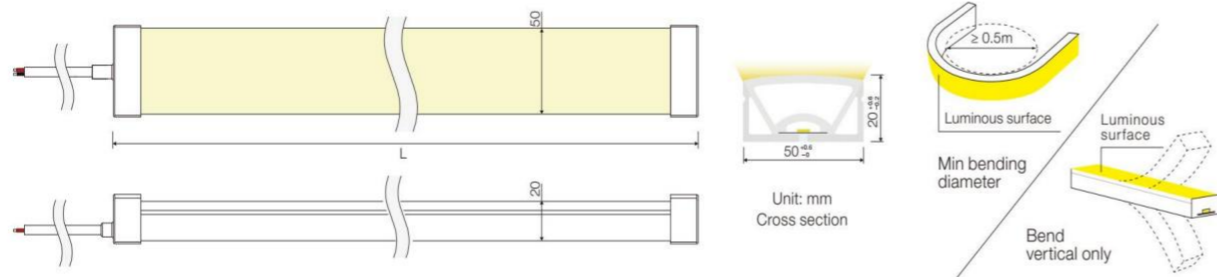


## SPECIFICATION

|              |                  |
|--------------|------------------|
| Model        | T5020            |
| Voltage      | 12V/24V          |
| Power        | 12W/15W          |
| LED QTY      | 240              |
| CCT/Color    | 2700-6500K, RGBW |
| Lumen Output | 900LM            |
| Cutting Unit | 2.5CM/5CM        |
| IP Rate      | >IP65            |

Color selection icons: R (Red), P (Pink), G (Green), B (Blue), Y (Yellow), and a color wheel with CRI >90. Other icons include One Bin, a list of CCT options (2100k to 6000k), Cuttable, 50000 hours Lifetime, LM80 Compliant, and a 3-year warranty seal.

## DIMENSIONS



# TOP BEND

D1513 270°

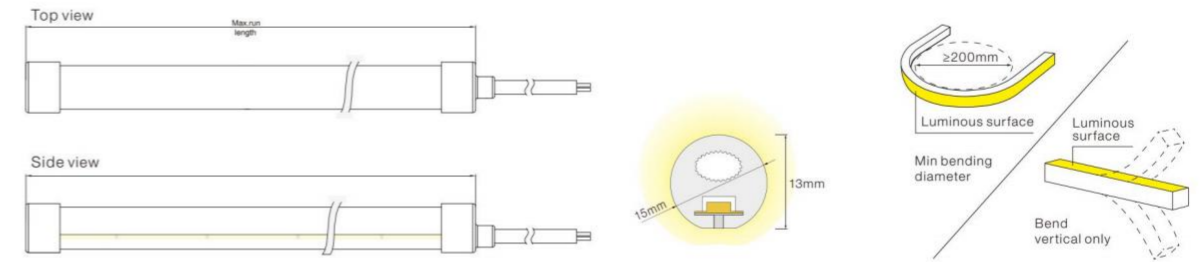


## SPECIFICATION

|              |                  |
|--------------|------------------|
| Model        | D1513-270        |
| Voltage      | 5V/12V/24V       |
| Power        | 7.2W/10W         |
| LED QTY      | 120              |
| CCT/Color    | 2700-6500K, RGBW |
| Lumen Output | 500LM            |
| Cutting Unit | 1CM/2.5CM/5CM    |
| IP Rate      | >IP65            |

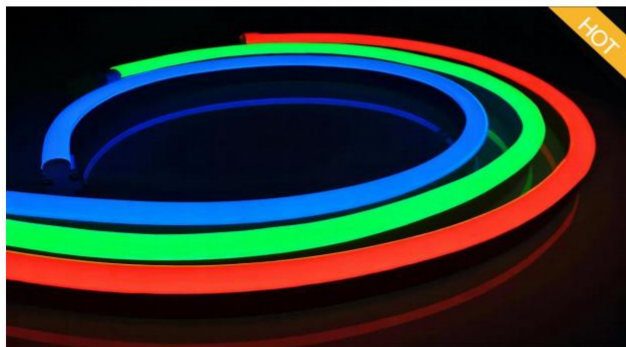
Color selection icons: R (Red), P (Pink), G (Green), B (Blue), Y (Yellow), and a color wheel with CRI >90. Other icons include One Bin, a list of CCT options (2100k to 6000k), Cuttable, 50000 hours Lifetime, LM80 Compliant, and a 3-year warranty seal.

## DIMENSIONS



# TOP BEND

D1311 270°

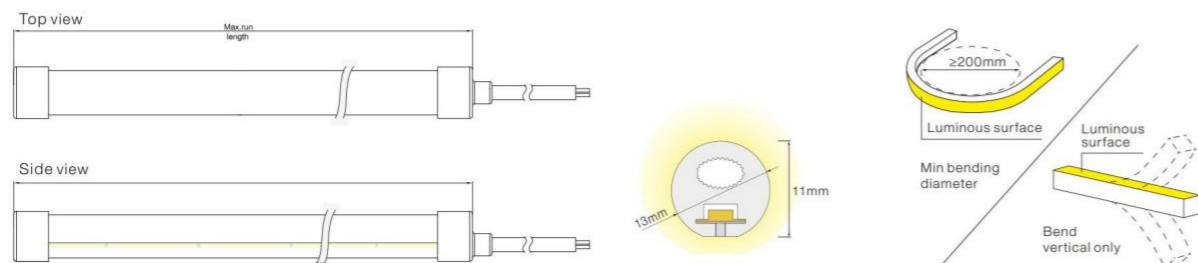


## SPECIFICATION

|              |                  |
|--------------|------------------|
| Model        | D1311-270        |
| Voltage      | 5V/12V/24V       |
| Power        | 7.2W/10W         |
| LED QTY      | 120              |
| CCT/Color    | 2700-6500K, RGBW |
| Lumen Output | 500LM            |
| Cutting Unit | 1CM/2.5CM/5CM    |
| IP Rate      | >IP65            |

Color selection icons: R (Red), P (Pink), G (Green), B (Blue), Y (Yellow), and a color wheel with CRI >90. Other icons include One Bin, a list of CCT options (2100k to 6000k), Cuttable, 50000 hours Lifetime, LM80 Compliant, and a 3-year warranty seal.

## DIMENSIONS



# TOP BEND

D2018 270°

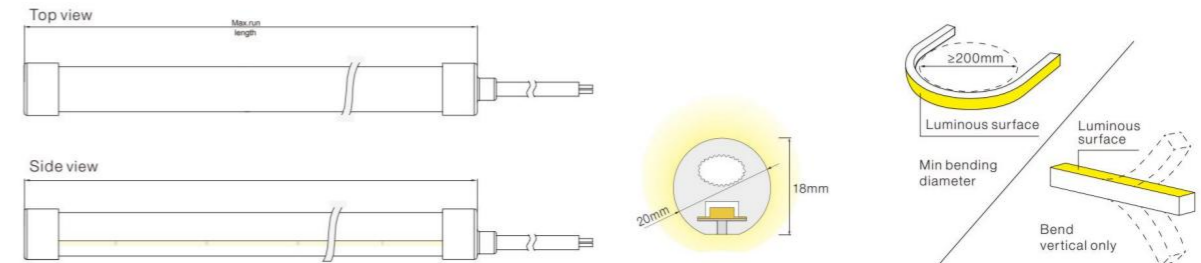


## SPECIFICATION

|              |                  |
|--------------|------------------|
| Model        | D2018-270        |
| Voltage      | 5V/12V/24V       |
| Power        | 7.2W/10W         |
| LED QTY      | 140              |
| CCT/Color    | 2700-6500K, RGBW |
| Lumen Output | 550LM            |
| Cutting Unit | 1CM/2.5CM/5CM    |
| IP Rate      | >IP65            |

Color selection icons: R (Red), P (Pink), G (Green), B (Blue), Y (Yellow), and a color wheel with CRI >90. Other icons include One Bin, a list of CCT options (2100k to 6000k), Cuttable, 50000 hours Lifetime, LM80 Compliant, and a 3-year warranty seal.

## DIMENSIONS



# SIDE BEND

S0408

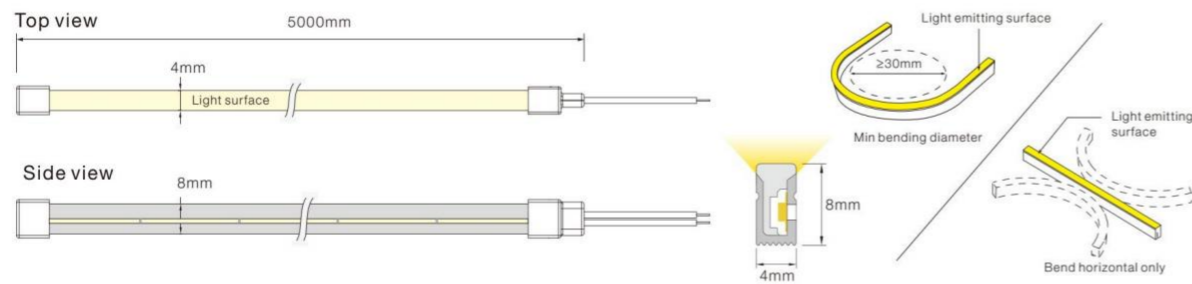


## SPECIFICATION

|              |             |
|--------------|-------------|
| Model        | S0408       |
| Voltage      | 5V/12V/24V  |
| Power        | 8W/12W      |
| LED QTY      | 168         |
| CCT/Color    | 2700-6500K  |
| Lumen Output | 500LM       |
| Cutting Unit | 1.8CM/3.6CM |
| IP Rate      | >IP65       |

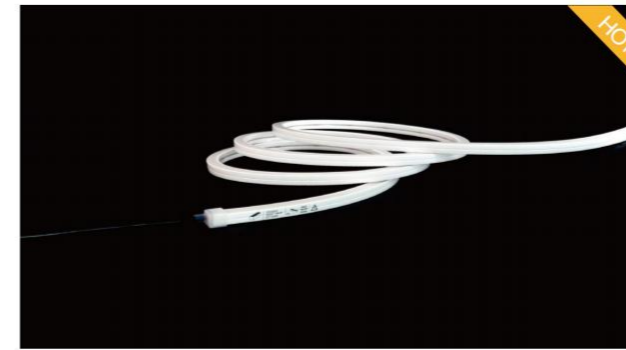


## DIMENSIONS



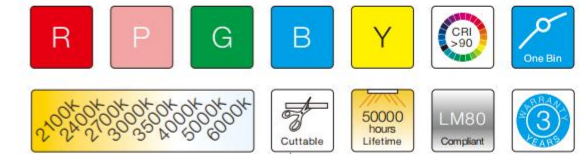
# SIDE BEND

S1010

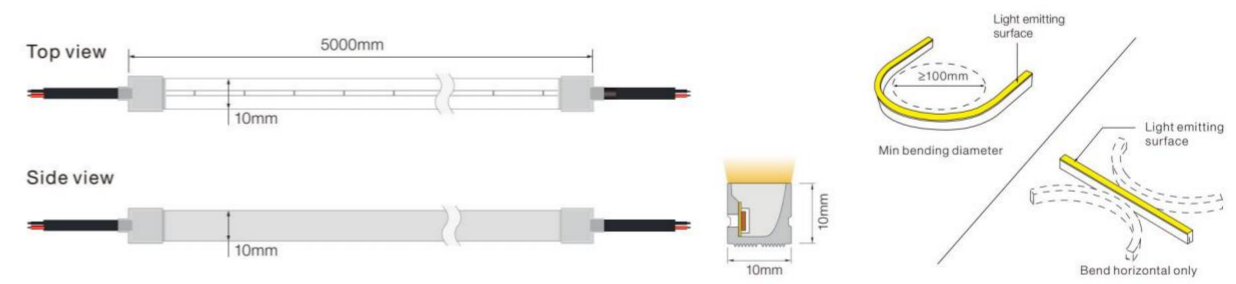


## SPECIFICATION

|              |                  |
|--------------|------------------|
| Model        | S1010            |
| Voltage      | 5V/12V/24V       |
| Power        | 7.2W/10W         |
| LED QTY      | 120              |
| CCT/Color    | 2700-6500K, RGBW |
| Lumen Output | 300LM            |
| Cutting Unit | 1CM/2.5CM/5CM    |
| IP Rate      | >IP65            |



## DIMENSIONS



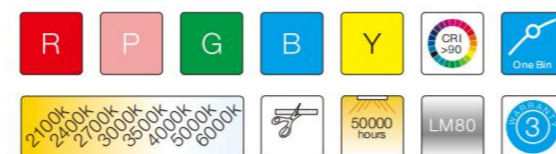
# SIDE BEND

S0612

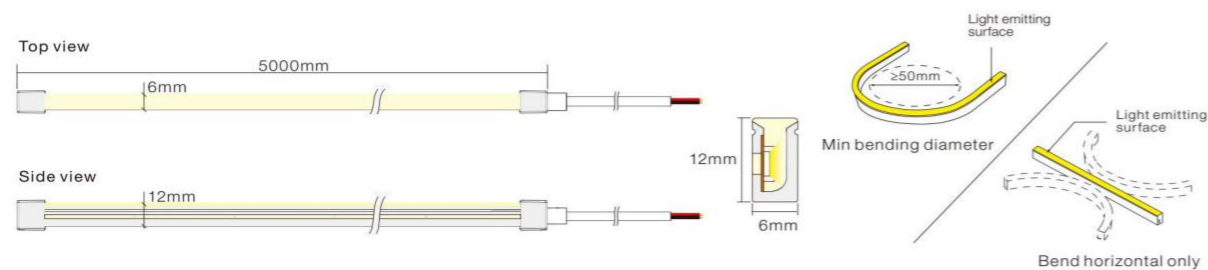


## SPECIFICATION

|              |                  |
|--------------|------------------|
| Model        | S0612            |
| Voltage      | 5V/12V/24V       |
| Power        | 7.2W/10W         |
| LED QTY      | 120              |
| CCT/Color    | 2700-6500K, RGBW |
| Lumen Output | 450LM            |
| Cutting Unit | 1CM/2.5CM/5CM    |
| IP Rate      | >IP65            |



## DIMENSIONS



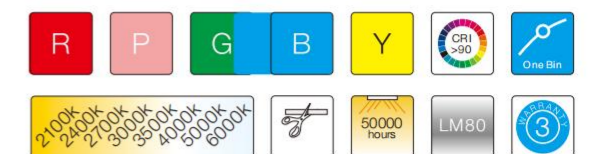
# SIDE BEND

S1220

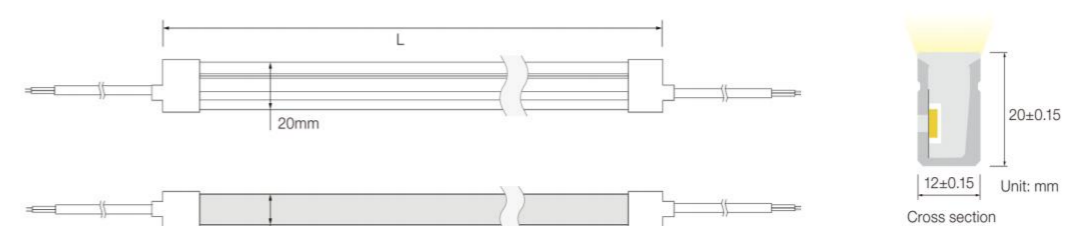


## SPECIFICATION

|              |                  |
|--------------|------------------|
| Model        | S1220            |
| Voltage      | 5V/12V/24V       |
| Power        | 7.2W/10W         |
| LED QTY      | 140              |
| CCT/Color    | 2700-6500K, RGBW |
| Lumen Output | 350LM            |
| Cutting Unit | 1CM/2.5CM/5CM    |
| IP Rate      | >IP65            |



## DIMENSIONS



# SIDE BEND

S2020

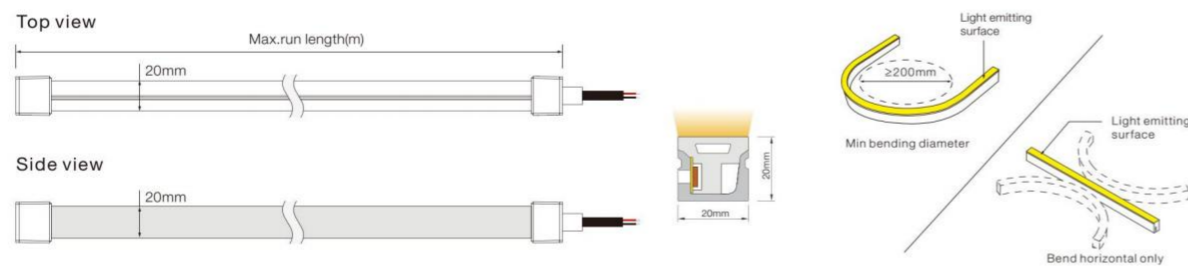


## SPECIFICATION

|              |               |
|--------------|---------------|
| Model        | S2020         |
| Voltage      | 5V/12V/24V    |
| Power        | 7.2W/10W      |
| LED QTY      | 120           |
| CCT/Color    | 2700-6500K    |
| Lumen Output | 450LM         |
| Cutting Unit | 1CM/2.5CM/5CM |
| IP Rate      | >IP65         |



## DIMENSIONS



# SIDE BEND

SR1022

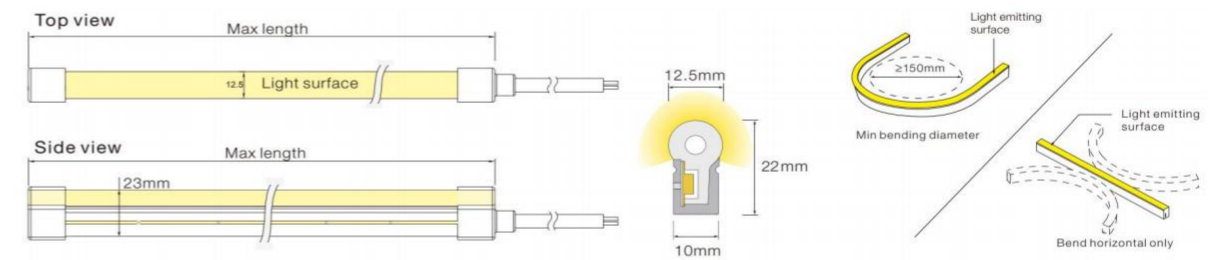


## SPECIFICATION

|              |               |
|--------------|---------------|
| Model        | SR1022        |
| Voltage      | 5V/12V/24V    |
| Power        | 7.2W/10W      |
| LED QTY      | 120           |
| CCT/Color    | 2700-6500K    |
| Lumen Output | 450LM         |
| Cutting Unit | 1CM/2.5CM/5CM |
| IP Rate      | >IP65         |



## DIMENSIONS



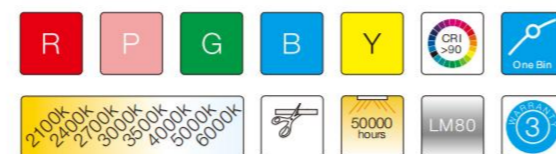
# SIDE BEND

S3032

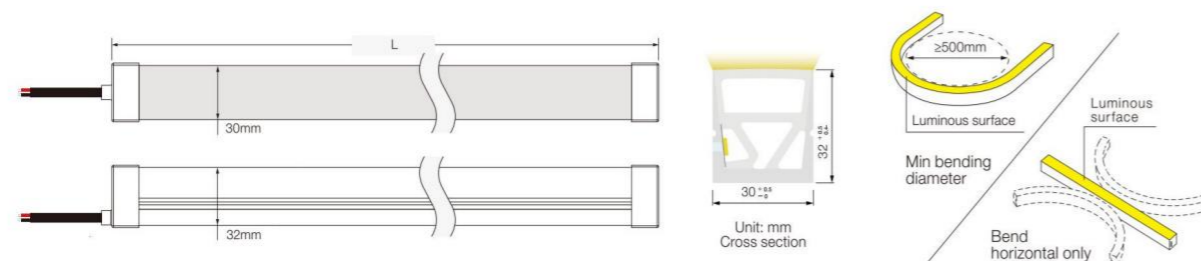


## SPECIFICATION

|              |                 |
|--------------|-----------------|
| Model        | S3032           |
| Voltage      | 12V/24V         |
| Power        | 12W/15W         |
| LED QTY      | 240             |
| CCT/Color    | 2700-6500K,RGBW |
| Lumen Output | 750LM           |
| Cutting Unit | 2.5CM/5CM       |
| IP Rate      | >IP65           |



## DIMENSIONS



# SIDE BEND

SR1225

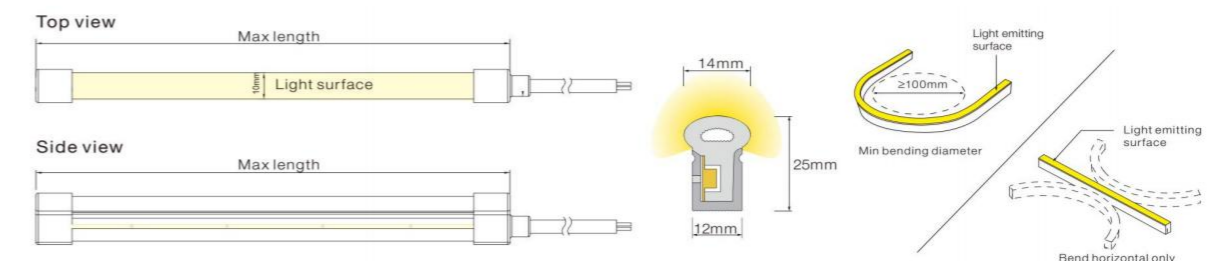


## SPECIFICATION

|              |                 |
|--------------|-----------------|
| Model        | SR1225          |
| Voltage      | 5V/12V/24V      |
| Power        | 7.2W/10W        |
| LED QTY      | 120             |
| CCT/Color    | 2700-6500K,RGBW |
| Lumen Output | 500LM           |
| Cutting Unit | 1CM/2.5CM/5CM   |
| IP Rate      | >IP65           |



## DIMENSIONS



# 360° SERIES

## D16 360°

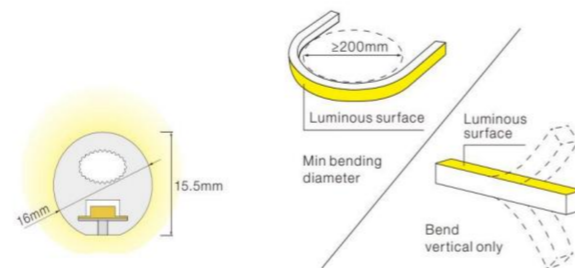
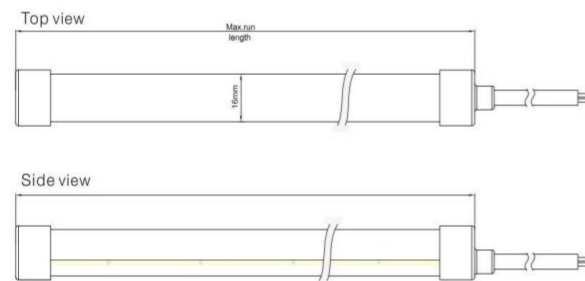


### SPECIFICATION

|              |             |
|--------------|-------------|
| Model        | D16-360     |
| Voltage      | 5V/12V/24V  |
| Power        | 8W/12W      |
| LED QTY      | 168         |
| CCT/Color    | 2700-6500K  |
| Lumen Output | 400LM       |
| Cutting Unit | 1.8CM/3.6CM |
| IP Rate      | >IP65       |

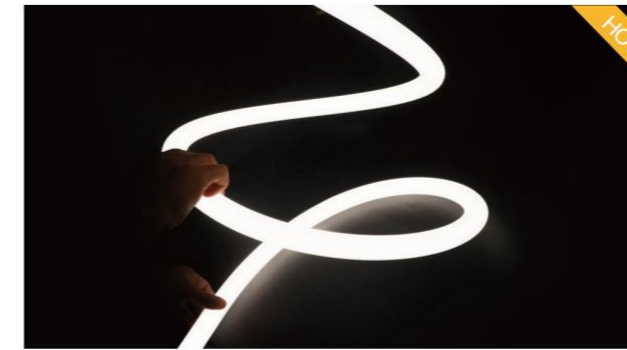


### DIMENSIONS



# 360° SERIES

## D25 360°

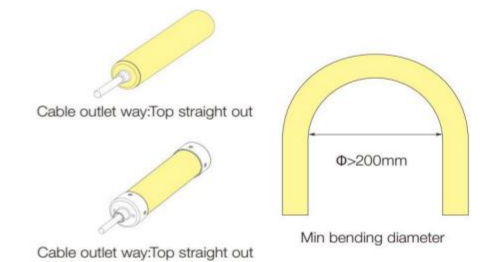
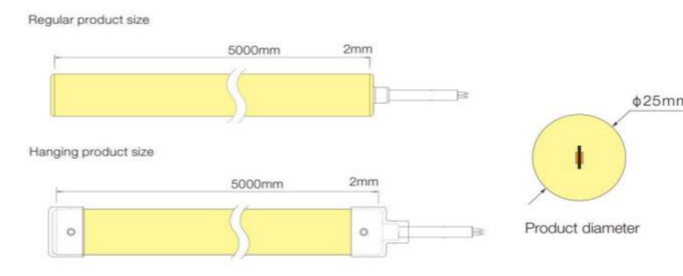


### SPECIFICATION

|              |                  |
|--------------|------------------|
| Model        | D25-360          |
| Voltage      | 5V/12V/24V       |
| Power        | 8W/12W           |
| LED QTY      | 168              |
| CCT/Color    | 2700-6500K, RGBW |
| Lumen Output | 750LM            |
| Cutting Unit | 1.8CM/3.6CM      |
| IP Rate      | >IP65            |



### DIMENSIONS



# 360° SERIES

## D20 360°

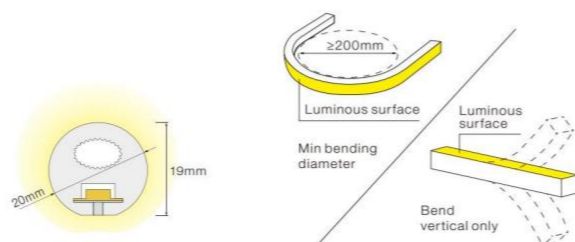
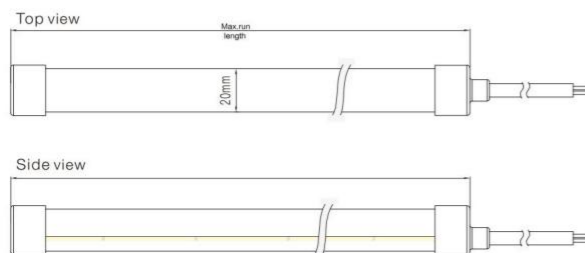


### SPECIFICATION

|              |                  |
|--------------|------------------|
| Model        | D20-360          |
| Voltage      | 5V/12V/24V       |
| Power        | 8W/12W           |
| LED QTY      | 168              |
| CCT/Color    | 2700-6500K, RGBW |
| Lumen Output | 750LM            |
| Cutting Unit | 1.8CM/3.6CM      |
| IP Rate      | >IP65            |

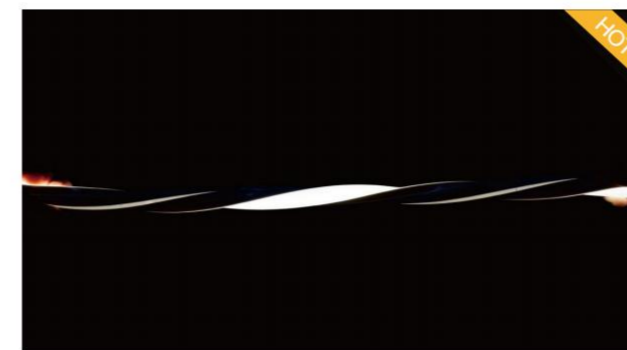


### DIMENSIONS



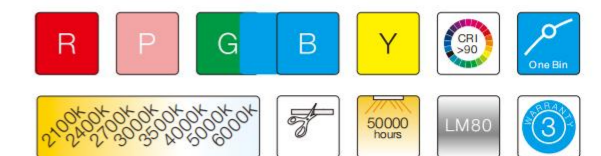
# 3D SERIES

## 1615 3D

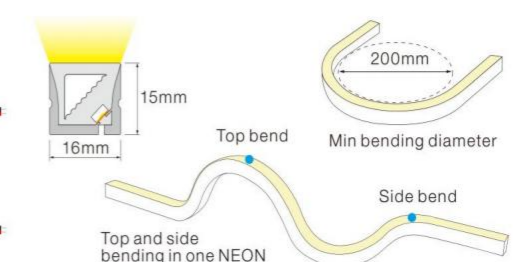
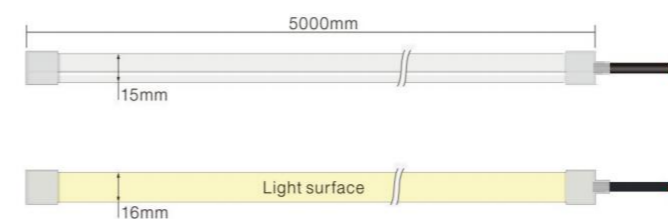


### SPECIFICATION

|              |                  |
|--------------|------------------|
| Model        | 1615-3D          |
| Voltage      | 24V              |
| Power        | 10W              |
| LED QTY      | 120              |
| CCT/Color    | 2700-6500K, RGBW |
| Lumen Output | 700LM            |
| Cutting Unit | 1CM/2.5CM/5CM    |
| IP Rate      | >IP65            |



### DIMENSIONS

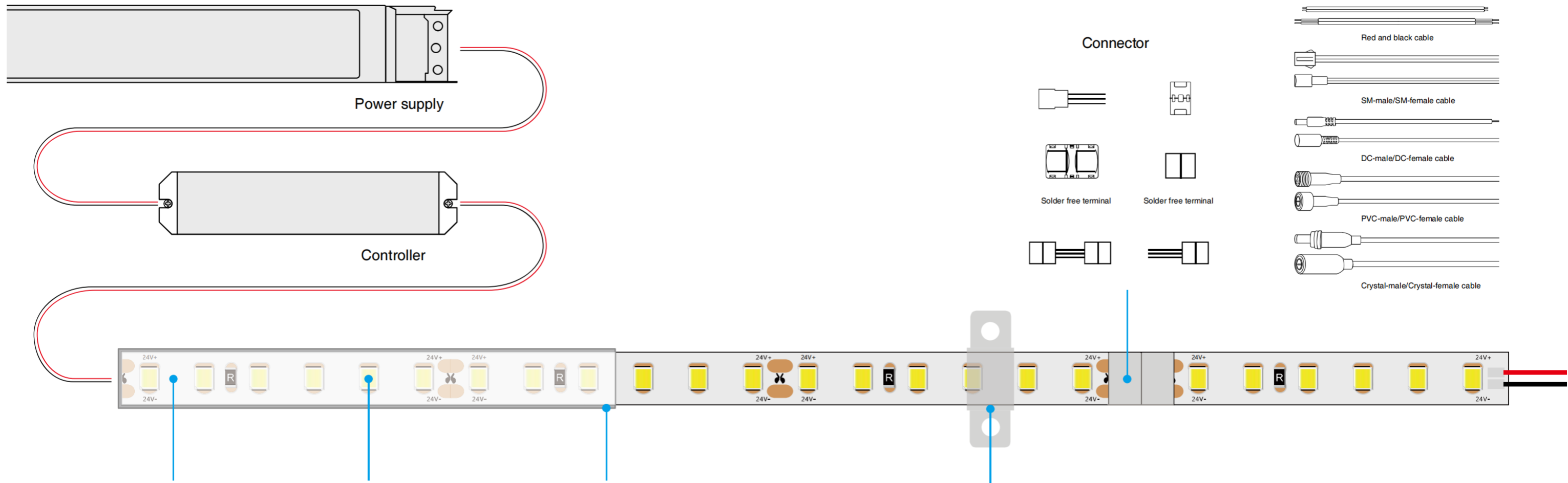


# STRIP LIGHT SERIES

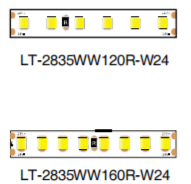




# LED Strip Solution

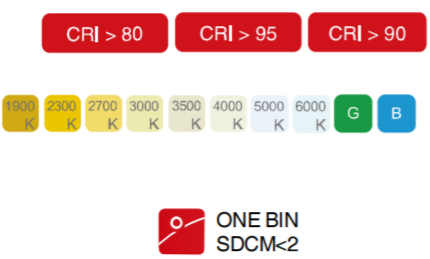


## LED Strip



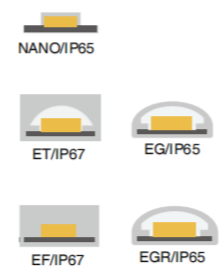
Multiple optional series and models  
customize LED strip as you need

## LED

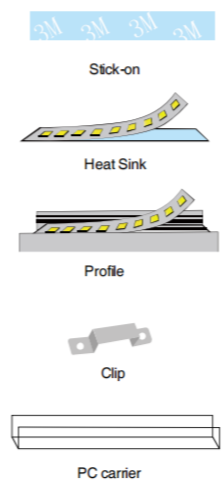


Various options, optional ordering,  
Customizable CCT & BIN

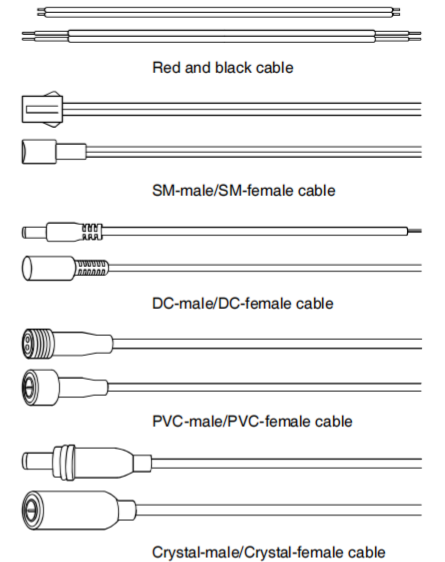
## IP process



## Installation

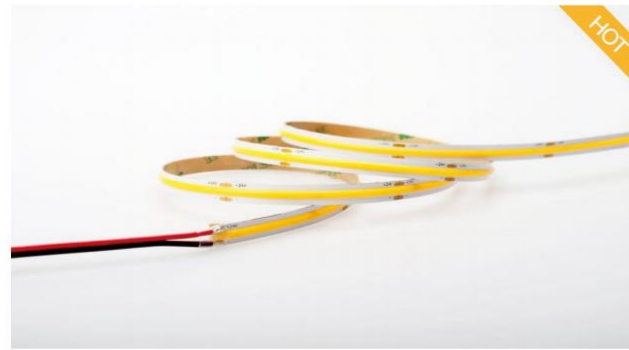


## Cables



# COB SERIES

## AB-COB-320-8

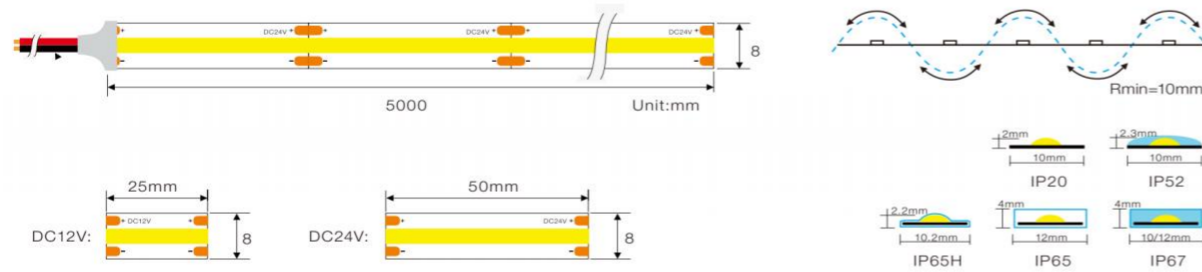


### SPECIFICATION

|                  |                |
|------------------|----------------|
| Model            | AB-COB-24V-320 |
| Voltage          | 24V            |
| Power            | 9W             |
| LED QTY          | 320            |
| CCT/Color        | 2700-6500K     |
| Lumen Efficiency | 95LM/W (6500K) |
| Cutting Unit     | 2.5CM/5CM      |
| IP Rate          | IP20           |

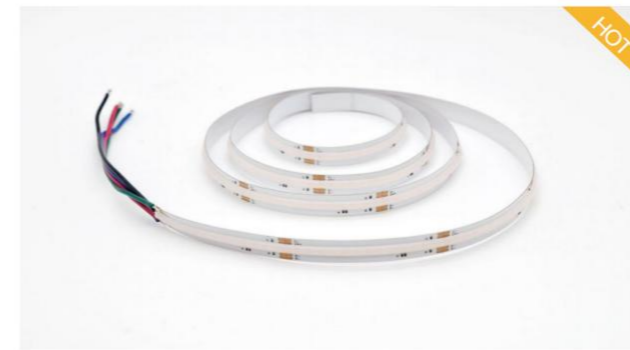


### DIMENSIONS



# COB SERIES

## AB-COB-480-8/RGB

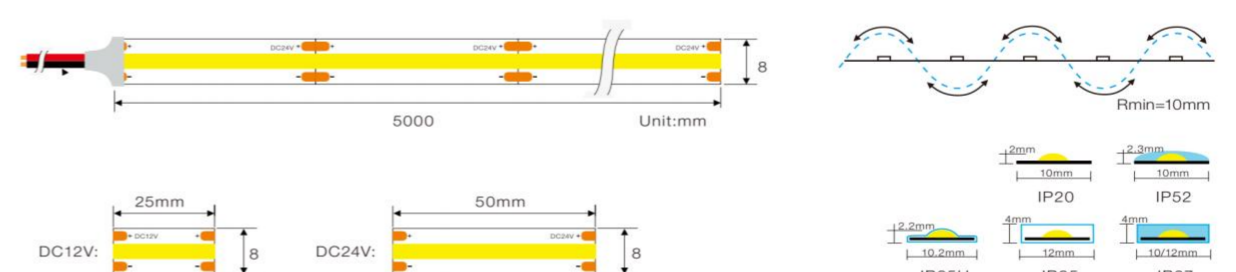


### SPECIFICATION

|                  |                    |
|------------------|--------------------|
| Model            | AB-COB-24V-480-RGB |
| Voltage          | 24V                |
| Power            | 9W                 |
| LED QTY          | 480                |
| CCT/Color        | RGB                |
| Lumen Efficiency | /                  |
| Cutting Unit     | 2.5CM/5CM          |
| IP Rate          | IP20               |

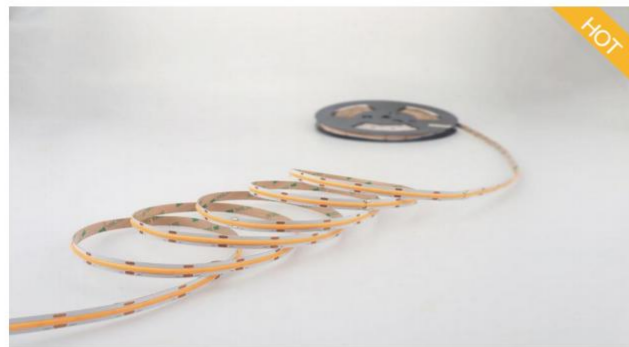


### DIMENSIONS



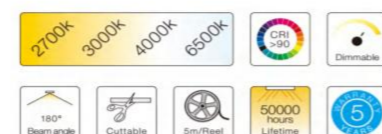
# COB SERIES

## AB-COB-480-8

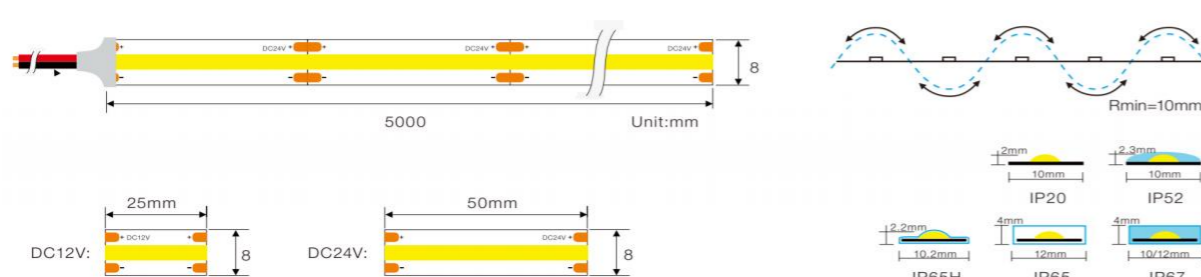


### SPECIFICATION

|                  |                |
|------------------|----------------|
| Model            | AB-COB-24V-480 |
| Voltage          | 24V            |
| Power            | 9W             |
| LED QTY          | 480            |
| CCT/Color        | 2700-6500K     |
| Lumen Efficiency | 95LM/W (6500K) |
| Cutting Unit     | 2.5CM/5CM      |
| IP Rate          | IP20           |



### DIMENSIONS



# COB SERIES

## AB-COB-512-8

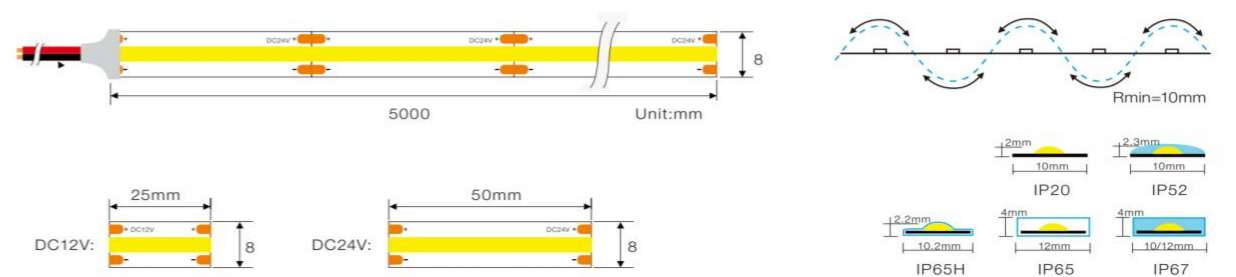


### SPECIFICATION

|                  |                 |
|------------------|-----------------|
| Model            | AB-COB-24V-512  |
| Voltage          | 24V             |
| Power            | 9W              |
| LED QTY          | 480             |
| CCT/Color        | 2700-6500K      |
| Lumen Efficiency | 110LM/W (6500K) |
| Cutting Unit     | 62.5CM          |
| IP Rate          | IP20            |



### DIMENSIONS



# COB SERIES

## AB-COB-512-10

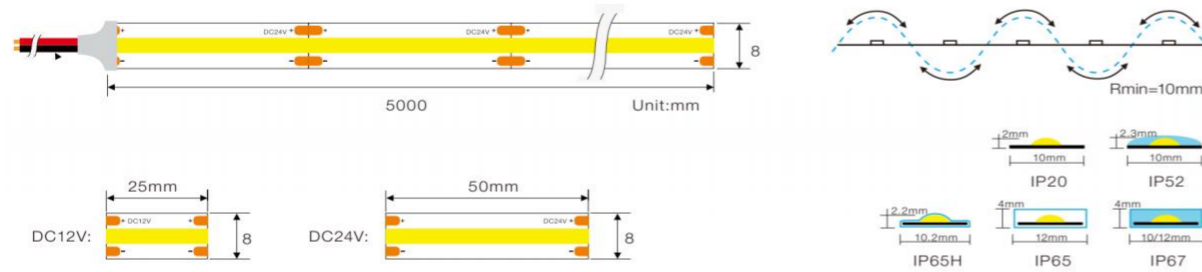


### SPECIFICATION

|                  |                 |
|------------------|-----------------|
| Model            | AB-COB-24V-512  |
| Voltage          | 24V             |
| Power            | 14W             |
| LED QTY          | 512             |
| CCT/Color        | 2700-6500K      |
| Lumen Efficiency | 110LM/W (6500K) |
| Cutting Unit     | 6.25CM          |
| IP Rate          | IP20            |



### DIMENSIONS



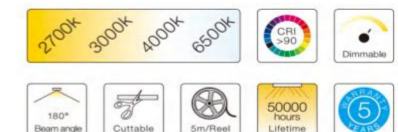
# COB SERIES

## AB-COB-480-8 RGB

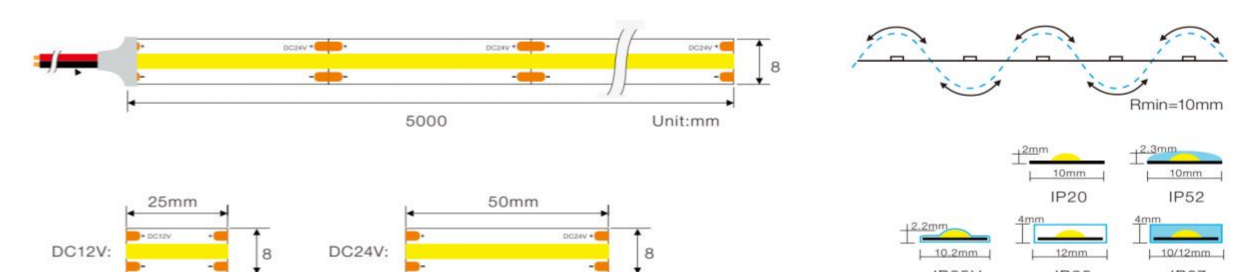


### SPECIFICATION

|                  |                    |
|------------------|--------------------|
| Model            | AB-COB-24V-480-RGB |
| Voltage          | 24V                |
| Power            | 9W                 |
| LED QTY          | 480                |
| CCT/Color        | RGB                |
| Lumen Efficiency | /                  |
| Cutting Unit     | 2.5CM/5CM          |
| IP Rate          | IP20               |

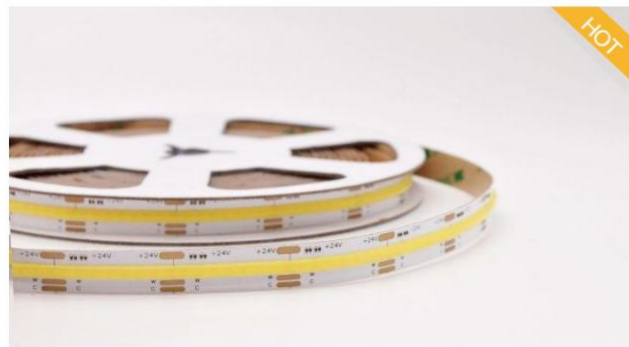


### DIMENSIONS



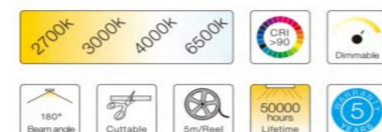
# COB SERIES

## AB-COB-608-10 CCT

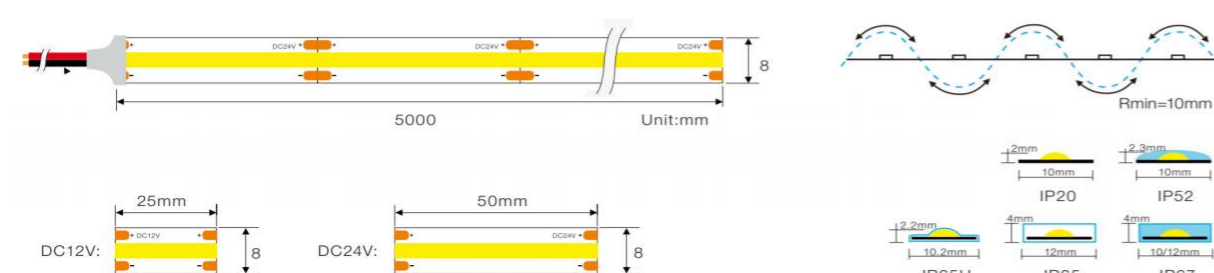


### SPECIFICATION

|                  |                 |
|------------------|-----------------|
| Model            | AB-COB-24V-608  |
| Voltage          | 24V             |
| Power            | 22W             |
| LED QTY          | 608             |
| CCT/Color        | 2700-6500K      |
| Lumen Efficiency | 100LM/W (6500K) |
| Cutting Unit     | 2.6CM           |
| IP Rate          | IP20            |



### DIMENSIONS



# 2835 SERIES

AB-2835-60-8

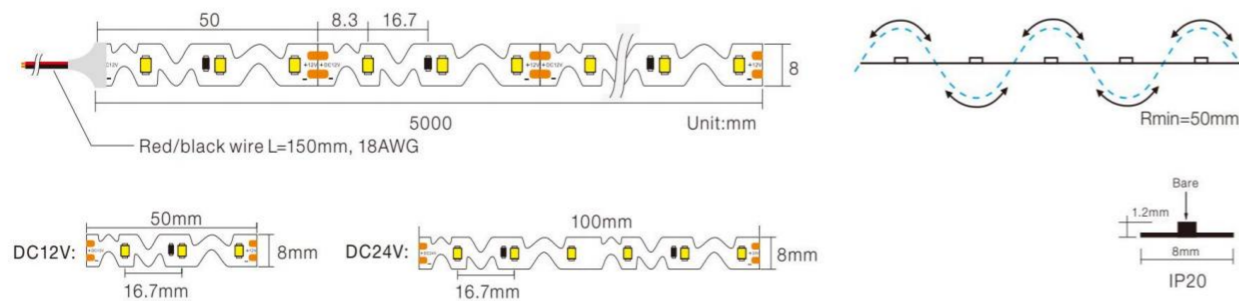


## SPECIFICATION

|                  |                  |
|------------------|------------------|
| Model            | AB-2835-24V-60-8 |
| Voltage          | 12V/24V          |
| Power            | 10W              |
| LED QTY          | 60               |
| CCT/Color        | 2700-6500K       |
| Lumen Efficiency | 100LM/W (6500K)  |
| Cutting Unit     | 5CM/10CM         |
| IP Rate          | IP20             |



## DIMENSIONS



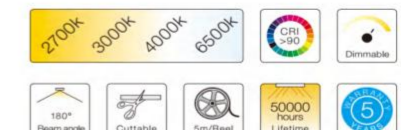
# 2835 SERIES

AB-2835-120-10

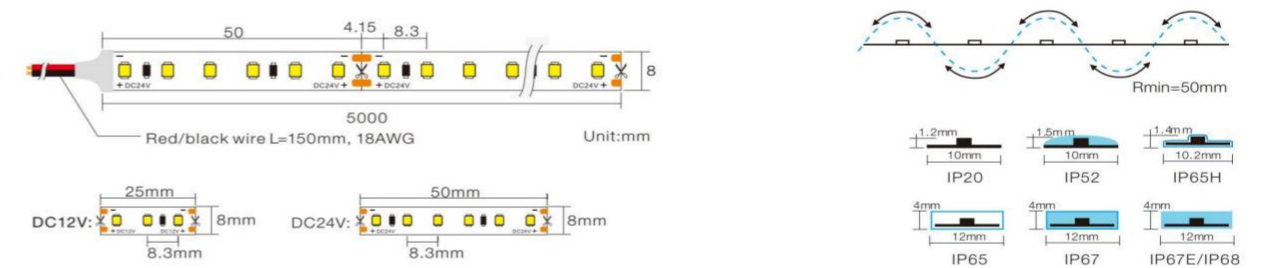


## SPECIFICATION

|                  |                   |
|------------------|-------------------|
| Model            | AB-2835-24V-120-8 |
| Voltage          | 12V/24V           |
| Power            | 24W               |
| LED QTY          | 120               |
| CCT/Color        | 2700-6500K        |
| Lumen Efficiency | 95LM/W (6500K)    |
| Cutting Unit     | 2.5CM/5CM         |
| IP Rate          | IP20              |



## DIMENSIONS



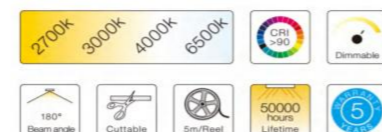
# 2835 SERIES

AB-2835-120-5

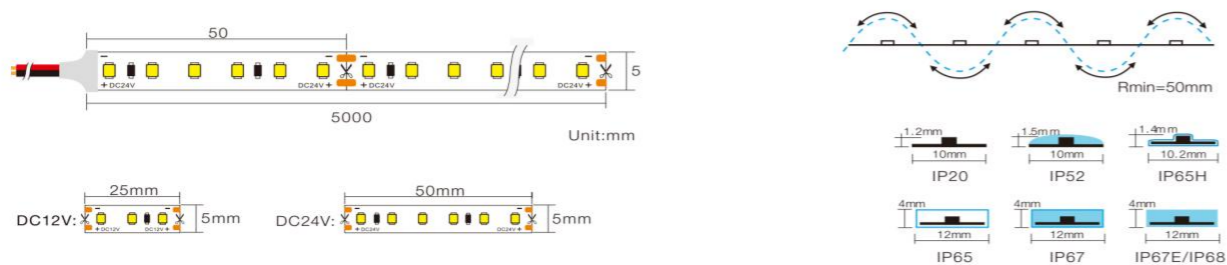


## SPECIFICATION

|                  |                   |
|------------------|-------------------|
| Model            | AB-2835-24V-120-5 |
| Voltage          | 12V/24V           |
| Power            | 24W               |
| LED QTY          | 120               |
| CCT/Color        | 2700-6500K        |
| Lumen Efficiency | 95LM/W (6500K)    |
| Cutting Unit     | 2.5CM/5CM         |
| IP Rate          | IP20              |



## DIMENSIONS



# 2835 SERIES

AB-2835-240-8

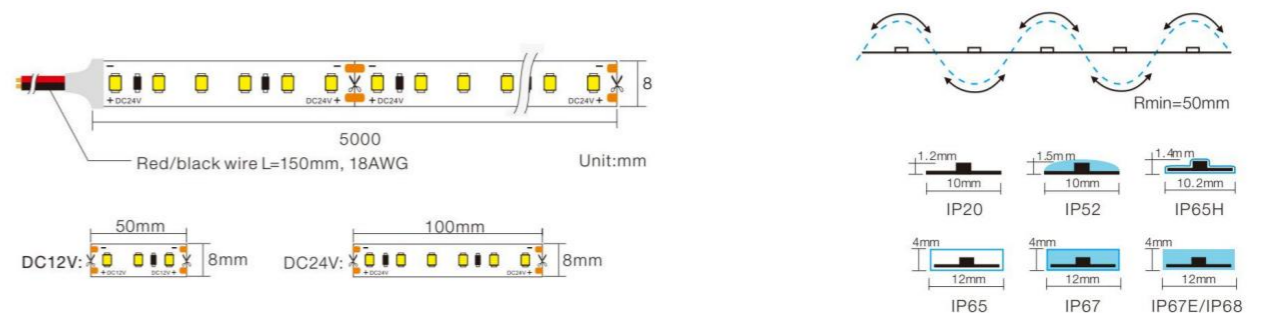


## SPECIFICATION

|                  |                   |
|------------------|-------------------|
| Model            | AB-2835-24V-240-8 |
| Voltage          | 12V/24V           |
| Power            | 24W               |
| LED QTY          | 240               |
| CCT/Color        | 2700-6500K        |
| Lumen Efficiency | 100LM/W (6500K)   |
| Cutting Unit     | 5CM/10CM          |
| IP Rate          | IP20              |



## DIMENSIONS



# 2835 SERIES

## AB-2835-240-8-Tunable

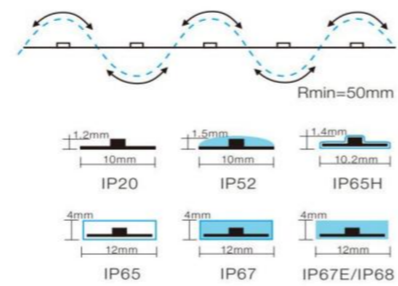
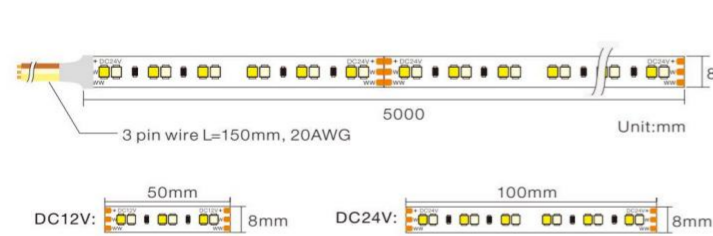


### SPECIFICATION

|                  |                   |
|------------------|-------------------|
| Model            | AB-2835-24V-240-8 |
| Voltage          | 12V/24V           |
| Power            | 24W               |
| LED QTY          | 240               |
| CCT/Color        | Tunable           |
| Lumen Efficiency | 100LM/W (6500K)   |
| Cutting Unit     | 5CM/10CM          |
| IP Rate          | IP20              |



### DIMENSIONS



# 2835 SERIES

## AB-2835-240-10

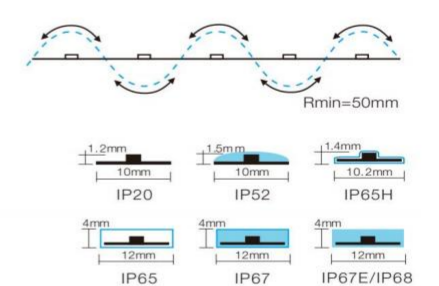
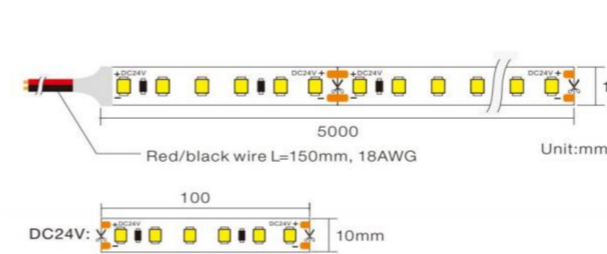


### SPECIFICATION

|                  |                    |
|------------------|--------------------|
| Model            | AB-2835-24V-240-10 |
| Voltage          | 12V/24V            |
| Power            | 24W                |
| LED QTY          | 240                |
| CCT/Color        | 2700-6500K         |
| Lumen Efficiency | 95LM/W (6500K)     |
| Cutting Unit     | 5CM/10CM           |
| IP Rate          | IP20               |



### DIMENSIONS



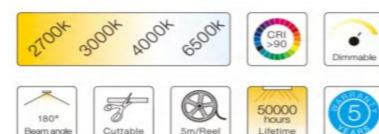
# 2835 SERIES

## AB-2835-120-10

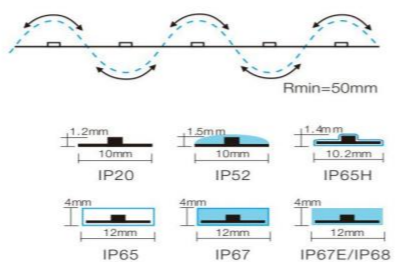
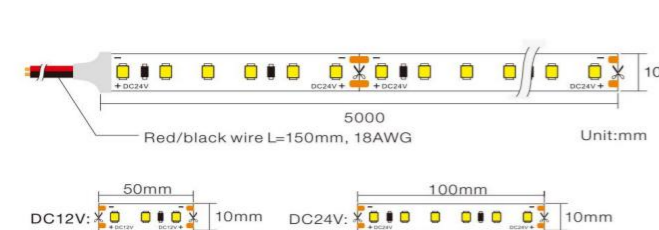


### SPECIFICATION

|                  |                    |
|------------------|--------------------|
| Model            | AB-2835-24V-120-10 |
| Voltage          | 12V/24V            |
| Power            | 24W                |
| LED QTY          | 120                |
| CCT/Color        | 2700-6500K         |
| Lumen Efficiency | 95LM/W (6500K)     |
| Cutting Unit     | 5CM/10CM           |
| IP Rate          | IP20               |



### DIMENSIONS



# 2835 SERIES

## AB-2835-120-RGB

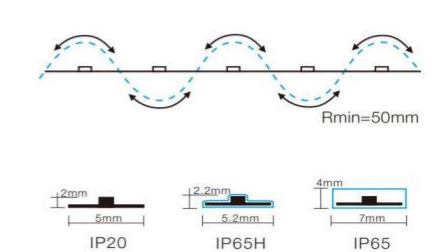
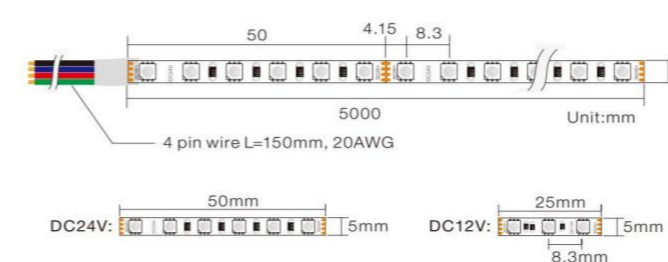


### SPECIFICATION

|                  |                 |
|------------------|-----------------|
| Model            | AB-2835-120-RGB |
| Voltage          | 12V/24V         |
| Power            | 24W             |
| LED QTY          | 120             |
| CCT/Color        | RGB             |
| Lumen Efficiency | /               |
| Cutting Unit     | 2.5CM/5CM       |
| IP Rate          | IP20            |



### DIMENSIONS



# 5050 SERIES

AB-S5050-30

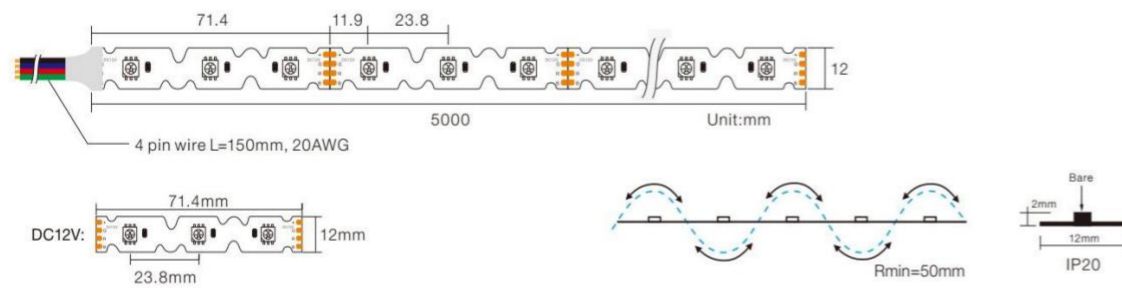


## SPECIFICATION

|                  |                |
|------------------|----------------|
| Model            | AB-S5050-30    |
| Voltage          | 12V            |
| Power            | 10W            |
| LED QTY          | 80             |
| CCT/Color        | RGB            |
| Lumen Efficiency | 100LM/W(6500K) |
| Cutting Unit     | 70CM           |
| IP Rate          | IP20           |



## DIMENSIONS



# 5050 SERIES

AB-5050-60-RGBTW

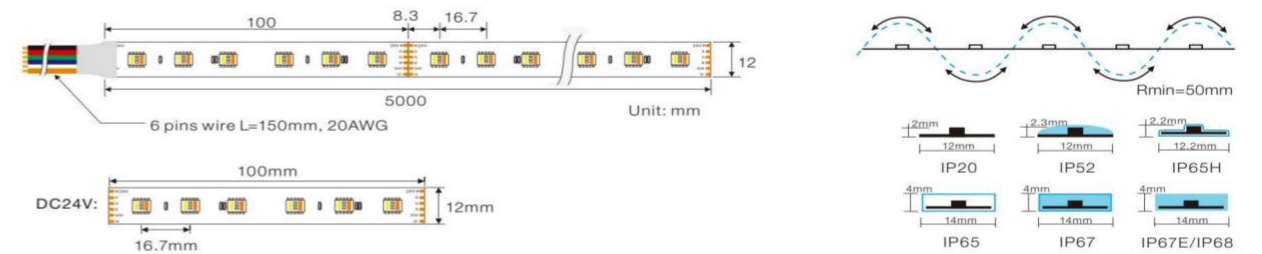


## SPECIFICATION

|                  |                  |
|------------------|------------------|
| Model            | AB-5050-60-RGBTW |
| Voltage          | 24V              |
| Power            | 20W              |
| LED QTY          | 24060            |
| CCT/Color        | RGBW             |
| Lumen Efficiency | /                |
| Cutting Unit     | 10CM             |
| IP Rate          | IP20             |



## DIMENSIONS



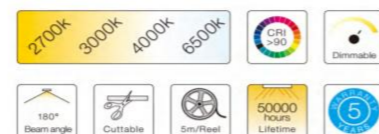
# 5050 SERIES

AB-5050-60

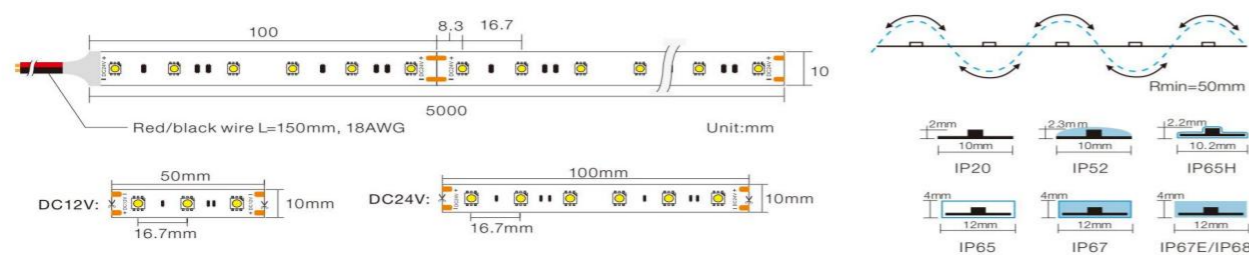


## SPECIFICATION

|                  |                 |
|------------------|-----------------|
| Model            | AB-5050-60      |
| Voltage          | 12V/24V         |
| Power            | 14W             |
| LED QTY          | 60              |
| CCT/Color        | 2700-6500K      |
| Lumen Efficiency | 105LM/W (6500K) |
| Cutting Unit     | 5CM/10CM        |
| IP Rate          | IP20            |



## DIMENSIONS



# 6060 SERIES

AB-6060-160°

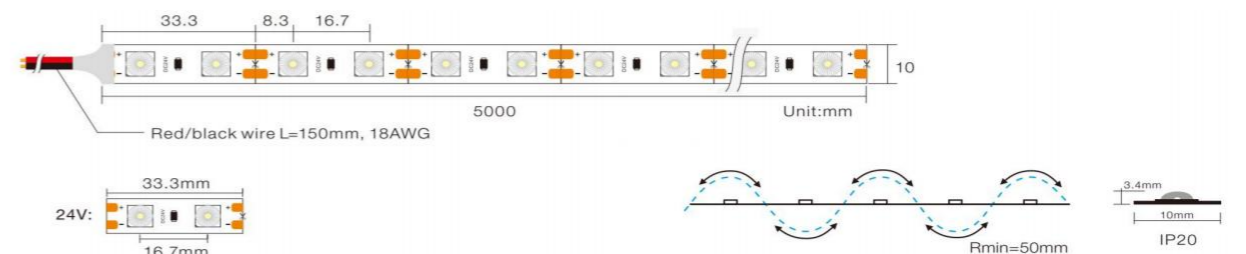


## SPECIFICATION

|                  |                |
|------------------|----------------|
| Model            | AB-606-160°    |
| Voltage          | 24V            |
| Power            | 20W            |
| LED QTY          | 60             |
| CCT/Color        | 2700-6500K     |
| Lumen Efficiency | 105LM/W(6500K) |
| Cutting Unit     | 3.3CM          |
| IP Rate          | IP20           |



## DIMENSIONS



## 3535 SERIES

### AB-3535-RGB

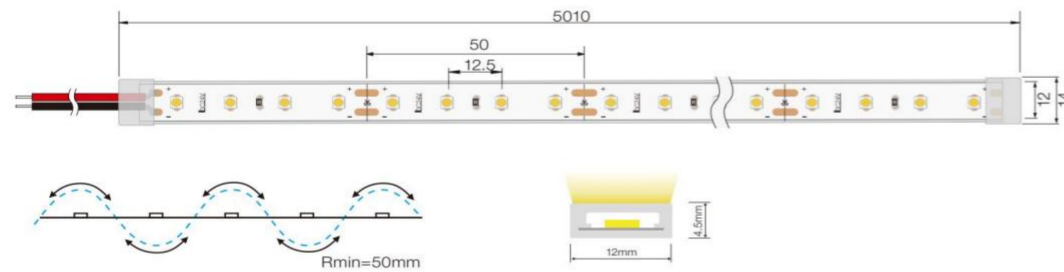


#### SPECIFICATION

|                  |             |
|------------------|-------------|
| Model            | AB-3535-RGB |
| Voltage          | 5V/12V      |
| Power            | 4.8W/9.6W   |
| LED QTY          | 80          |
| CCT/Color        | RGB         |
| Lumen Efficiency | /           |
| Cutting Unit     | 5CM/10CM    |
| IP Rate          | IP20        |



#### DIMENSIONS



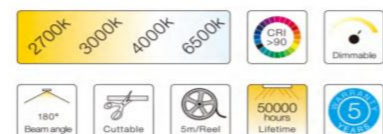
## 4040 SERIES

### AB-4040-RGB

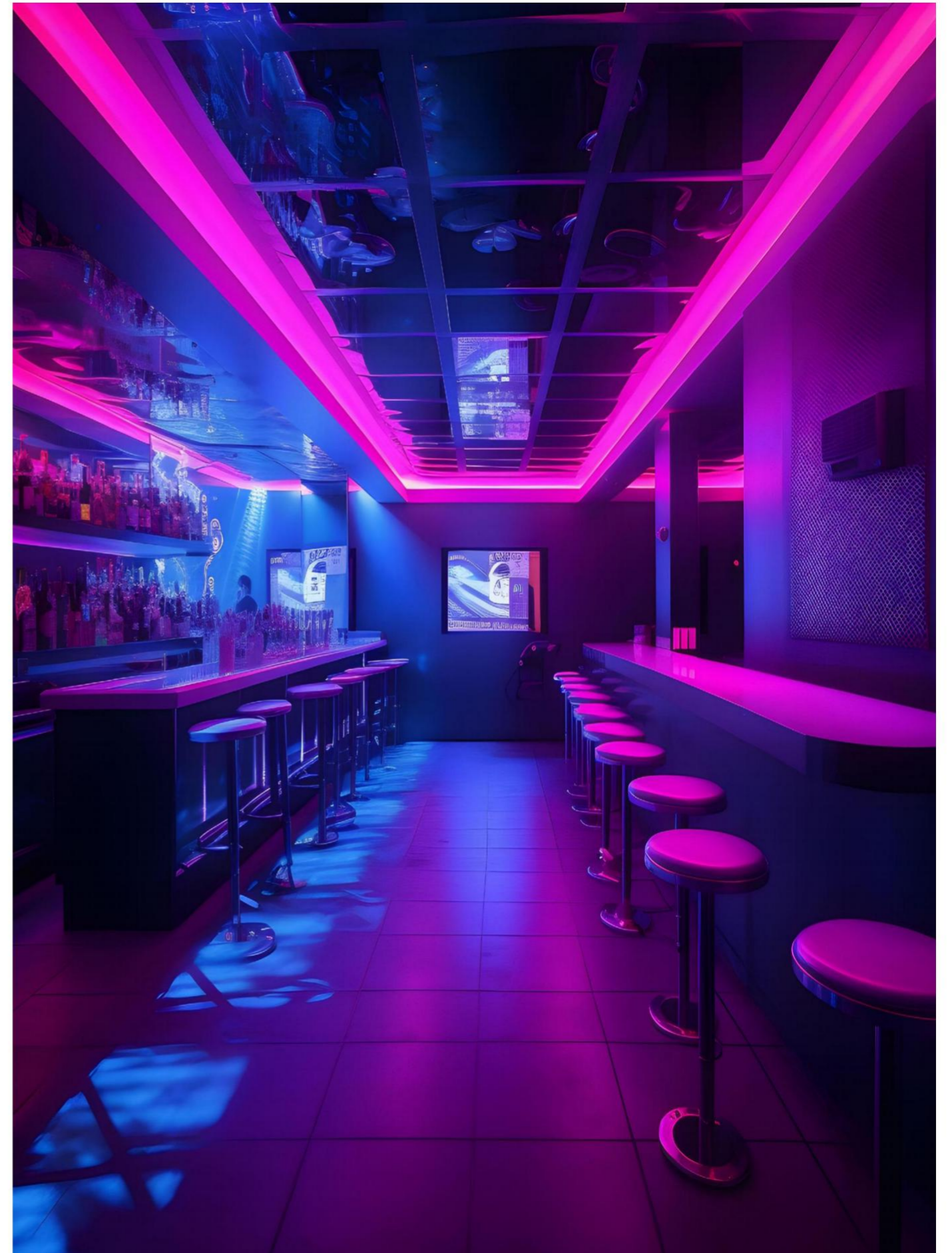
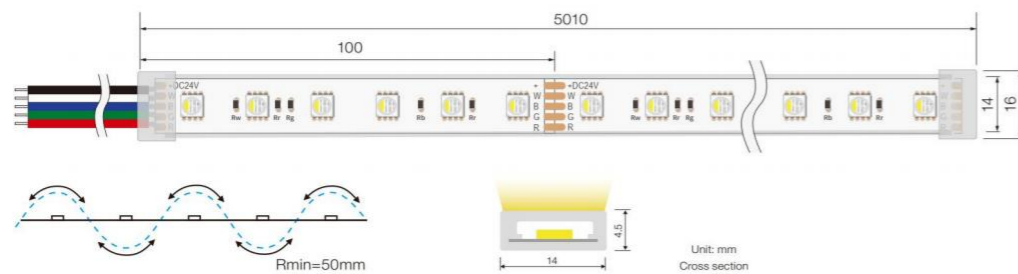


#### SPECIFICATION

|                  |                |
|------------------|----------------|
| Model            | AB-4040-RGB    |
| Voltage          | 24V            |
| Power            | 10W            |
| LED QTY          | 60             |
| CCT/Color        | 2700-6500K     |
| Lumen Efficiency | 95LM/W (6500K) |
| Cutting Unit     | 10CM           |
| IP Rate          | IP20           |



#### DIMENSIONS



## QUICK CONNECTOR

### Joiner-Input Cable/Tape Light

AB-W8CF2



IP22 Joiner for Cable to Tape Light in 2PIN

Apply:8mm-Signle Color Tape Light  
Working Vol.:0-36V  
Working Current:0-3A  
Cable Size:AWG18-22#(or<math>\Phi</math>2.1mm)

AB-W8CF2



IP65(IP44,glue coated) Joiner for Cable to Tape Light in 2PIN

Apply:8mm-Signle Color Tape Light  
Working Vol.:0-36V  
Working Current:0-3A  
Cable Size:AWG18-22#(or<math>\Phi</math>2.1mm)

AB-W10CF2



IP22 Joiner for Cable to Tape Light in 2PIN

Apply:10mm-Signle Color Tape Light  
Working Vol.:0-36V  
Working Current:0-3A  
Cable Size:AWG18-22#(or<math>\Phi</math>2.1mm)

AB-W10CF2



IP65(IP44,glue coated) Joiner for Cable to Tape Light in 2PIN

Apply:10mm-Signle Color Tape Light  
Working Vol.:0-36V  
Working Current:0-3A  
Cable Size:AWG18-22#(or<math>\Phi</math>2.1mm)

AB-W10CF3



IP22 Joiner for Cable to Tape Light in 3PIN

Apply:10mm-Dual White Tape Light  
Working Vol.:0-36V  
Working Current:0-3A  
Cable Size:AWG18-22#(or<math>\Phi</math>2.1mm)

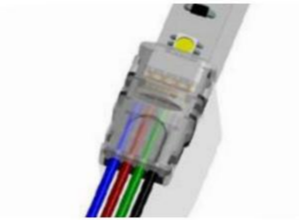
AB-W10CF3



IP65(IP44,glue coated) Joiner for Cable to Tape Light in 3PIN

Apply:10mm-Dual White Tape Light  
Working Vol.:0-36V  
Working Current:0-3A  
Cable Size:AWG18-22#(or<math>\Phi</math>2.1mm)

AB-W10CF4



IP22 Joiner for Cable to Tape Light in 4PIN

Apply:10mm-RGB Tape Light  
Working Vol.:0-36V  
Working Current:0-3A  
Cable Size:AWG18-22#(or<math>\Phi</math>2.1mm)

AB-W10CF4



IP65(IP44,glue coated) Joiner for Cable to Tape Light in 4PIN

Apply:10mm-RGB Tape Light  
Working Vol.:0-36V  
Working Current:0-3A  
Cable Size:AWG18-22#(or<math>\Phi</math>2.1mm)

AB-W10CF2



IP64(Silicone Sleeve Encased) Joiner for Cable to Tape Light in 2PIN

Apply:10mm-Single Color Tape Light  
Working Vol.:0-36V  
Working Current:0-3A  
Cable Size:AWG18-22#(or<math>\Phi</math>2.1mm)

AB-W10CF4



IP64(Silicone Sleeve Encased) Joiner for Cable to Tape Light in 4PIN

Apply:10mm-RGB Tape Light  
Working Vol.:0-36V  
Working Current:0-3A  
Cable Size:AWG18-22#(or<math>\Phi</math>2.1mm)

## LED CONTROLLER

### Digital Controller

#### AB-BV-1000 Digital Controller

Input Vol : 5V/12V, 12/24 VDC  
Programmable  
Max Drive : 1024 pixels  
Gray Level Control : 32-65536 grade  
Support IC : WS2811, WS2812, WS2812B, INK10003, UCS2903  
Control Effect Variety : 60 varietie



#### AB-BV-T1000 Digital Controller

Input Vol : 5V/7.5V-24 VDC  
Power : 3W  
Programmable  
Max Drive : 2048 pixels  
Max Files Load : 16  
256 Gray, Gamma correction processing software



#### AB-BV-502 Digital Controller

Input Vol : AC 12V/ DC 7.5V-24V/ DC 5V  
Rated Power : 2W  
Programmable  
Gray Level Control : 32-65536 grade  
SD Card Capacity : 4GB(Factory Standard)  
Support the majority of serial driver LED driver IC





## Mini Series - Remote part

### AB-BVM1

Wireless signal Light Dimming Remote



Working Vol.: 3V[Battery CR2032]  
Working Frequency:433.92MHz  
Remote Distance: 30m  
Working Temperature: -30°C~55°C  
Size: L104xW58xH9mm

### AB-BVM5

Wireless signal CCT Dimming Remote



Working Vol.: 3V[Battery CR2032]  
Working Frequency:433.92MHz  
Remote Distance: 30m  
Working Temperature: -30°C~55°C  
Size: L104xW58xH9mm

### AB-BVM2

Wireless signal CCT Dimming Remote



Working Vol.: 3V[Battery CR2032]  
Working Frequency:433.92MHz  
Remote Distance: 30m  
Working Temperature: -30°C~55°C  
Size: L104xW58xH9mm

### AB-BVM6

Wireless signal Light RGB Remote



Working Vol.: 3V[Battery CR2032]  
Working Frequency:433.92MHz  
Remote Distance: 30m  
Working Temperature: -30°C~55°C  
Size: L104xW58xH9mm

### AB-BVM3



Working Vol.: 3V[Battery CR2032]  
Working Frequency:433.92MHz  
Remote Distance: 30m  
Working Temperature: -30°C~55°C  
Size: L104xW58xH9mm

### AB-BVM7

Wireless signal Light RGB Remote



Working Vol.: 3V[Battery CR2032]  
Working Frequency:433.92MHz  
Remote Distance: 30m  
Working Temperature: -30°C~55°C  
Size: L104xW58xH9mm

### AB-BVM4

Wireless signal RGBW/RGBA Remote



Working Vol.: 3V[Battery CR2032]  
Working Frequency:433.92MHz  
Remote Distance: 40-50m  
Working Temperature: -30°C~55°C  
Size: L104xW58xH9mm

### AB-BVM8

Wireless signal RGBW/RGBA Remote



Working Vol.: 3V[Battery CR2032]  
Working Frequency:433.92MHz  
Remote Distance: 40-50m  
Working Temperature: -30°C~55°C  
Size: L104xW58xH9mm

Remark:Remote only, a receiver AB-BVC3-3A or AB-BVC4-5A needed.

## Mini Series-Receiver Part

### AB-BVC3-3A Receiver

Wireless Constant Voltage Signal Receiver



Compatible For: M1/M2/M3/M5/M6/M7  
Input Vol: 12V-24VDC  
Max Current Load: 3Ax3CH Max 9A  
Maxoutp Power: 12V-108W,24V-216W  
Working Temperature: -30°C~55°C  
Size: L135xW30xH20mm

### AB-BVC4-5A Receiver

Wireless Constant Voltage Signal Receiver



Compatible For: M1/M2/M3/M5/M6/M7+M4/M8  
Input Vol: 5V-24VDC  
Max Current Load: 5Ax4CH Max 20A  
Maxoutp Power: 5V-100W,24V-240W,24V-280W  
Working Temperature: -30°C~55°C  
Size: L175xW44xH30mm

## Combination Table

